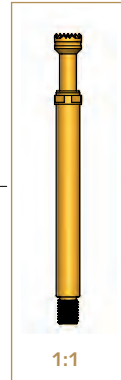
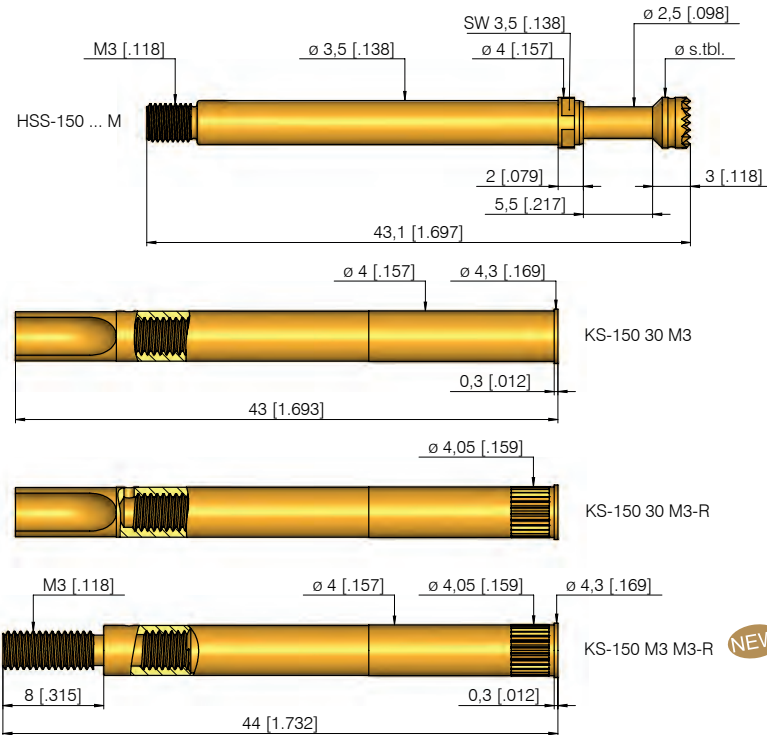


Grid:
≥ 5,08 mm
≥ 200 Mil

Installation height with KS: 10,8 mm (.425)
Recommended stroke: 4,4 mm (.173)

Mounting and functional dimensions



Available tip styles

Material	Tip style	Plating	Further versions	
			ϕ	ϕ (inch)
3 02		A	ϕ 4,00 (.157)	
3 03		A	ϕ 4,00 (.157)	
3 05*		S	ϕ 4,00 (.157)	
3 06		A	ϕ 4,00 (.157)	3,00 (.118)
3 17		A	ϕ 3,00 (.118)	
3 19		A	ϕ 4,00 (.157)	

* pressed-in silver stud

Compatible GKS

GKS-854 M (assembled in same receptacle)

Materials

Plunger: BeCu, gold-plated or silver stud
Barrel: Brass, silver-plated
Spring: Stainless steel, gold-plated
Receptacle: Brass, gold-plated

Operating temperature

Standard: -100° up to +200° C

Mounting hole size

for **KS-150 30 M3** in CEM1 and FR4: ϕ 3,99 mm (.1571)
for **KS-150 30 M3-R + KS-150 M3 M3-R** in CEM1 and FR4: ϕ 4,00 - 4,02 mm (.1575 - .1583)

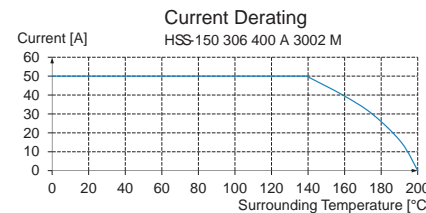
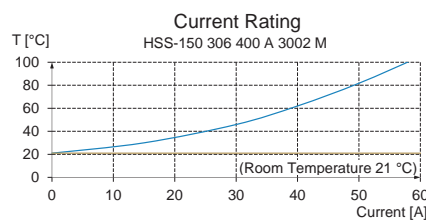
Recommended screw-in torque

Min. 10 cNm / Max. 20 cNm

Electrical data

Current rating (at room temp.): max. 50 A (for short loads up to 80 A)

R_i typical: < 10 m Ω



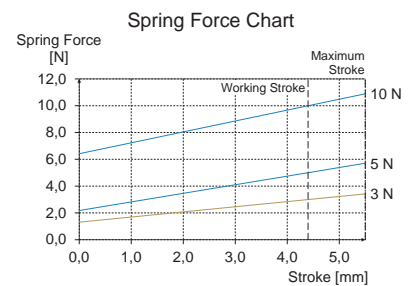
Mechanical data

Working stroke: 4,4 mm (.173)

Maximum stroke: 5,5 mm (.217)

Spring force at work. stroke: 3,0 N (10.8oz)

Alternative: 5,0 N (18.1oz); 10 N (36oz) ("99" in order number)



Ordering example

Series Tip material Tip style Tip diameter (1/100 mm) Plating A = Gold S = Silver Spring force (dN) Collar height (mm) Type

Test probe:

H S S 1 5 0 3 0 6 4 0 0 A 3 0 0 2 M

Receptacles:

K S - 1 5 0 3 0 M 3 K S - 1 5 0 3 0 M 3 - R K S - 1 5 0 M 3 M 3 - R