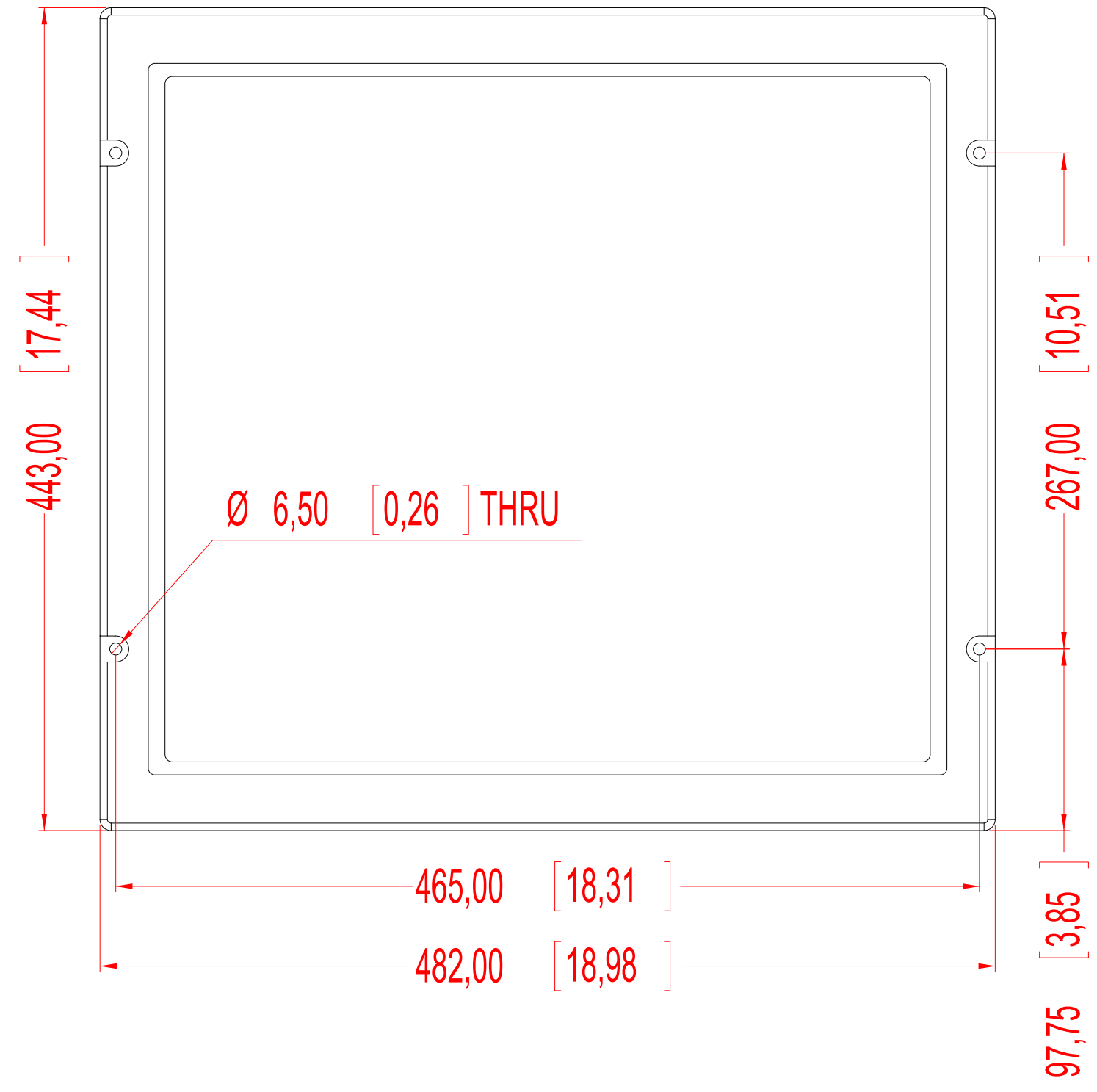
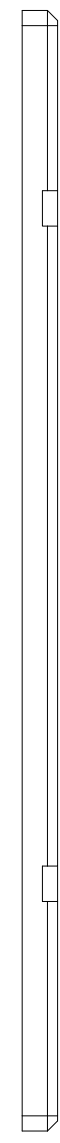


This document is the property of Hatteland Display AS.
 This document and any authorized reproduction thereof, must not be used in
 any way against the interest of Hatteland Display AS.
 Any authorized reproduction, in whole or in part, must include this legend.

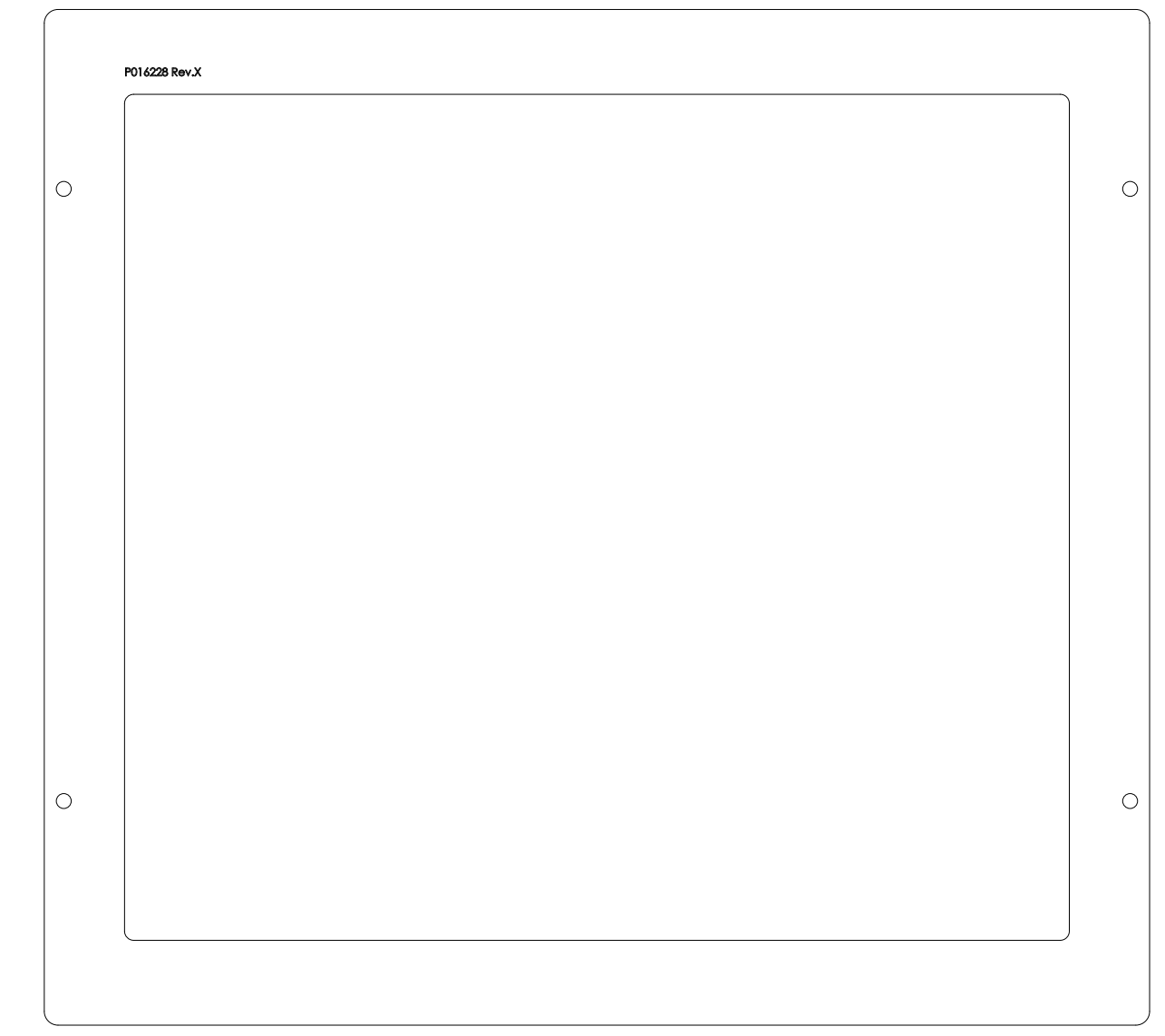
FRONT VIEW



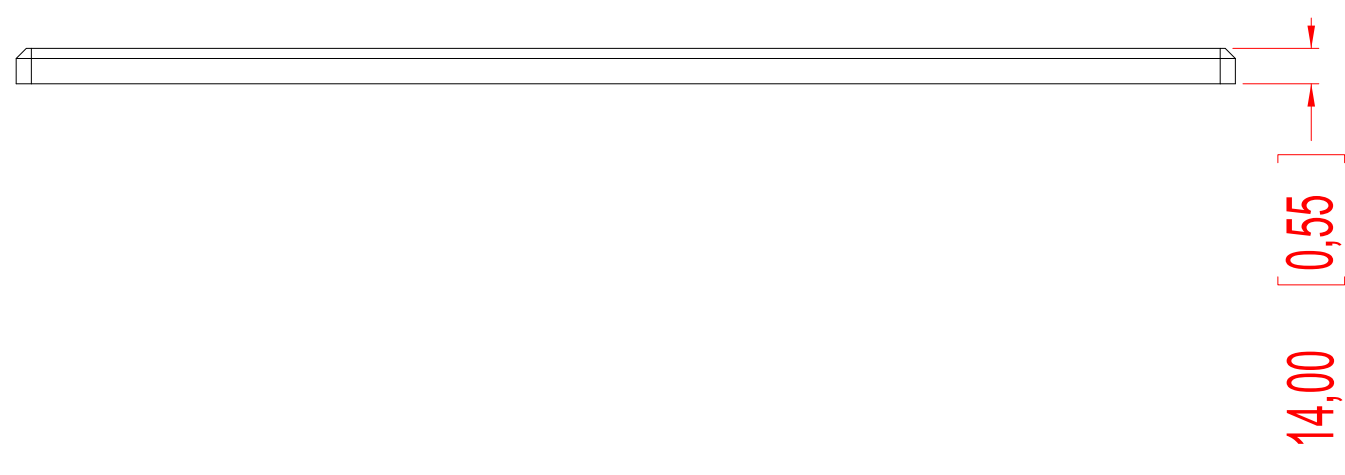
SIDE VIEW



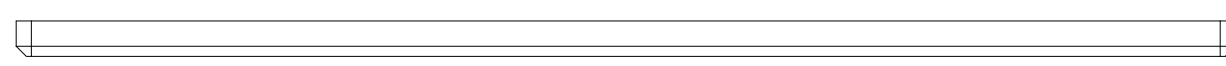
BACK VIEW



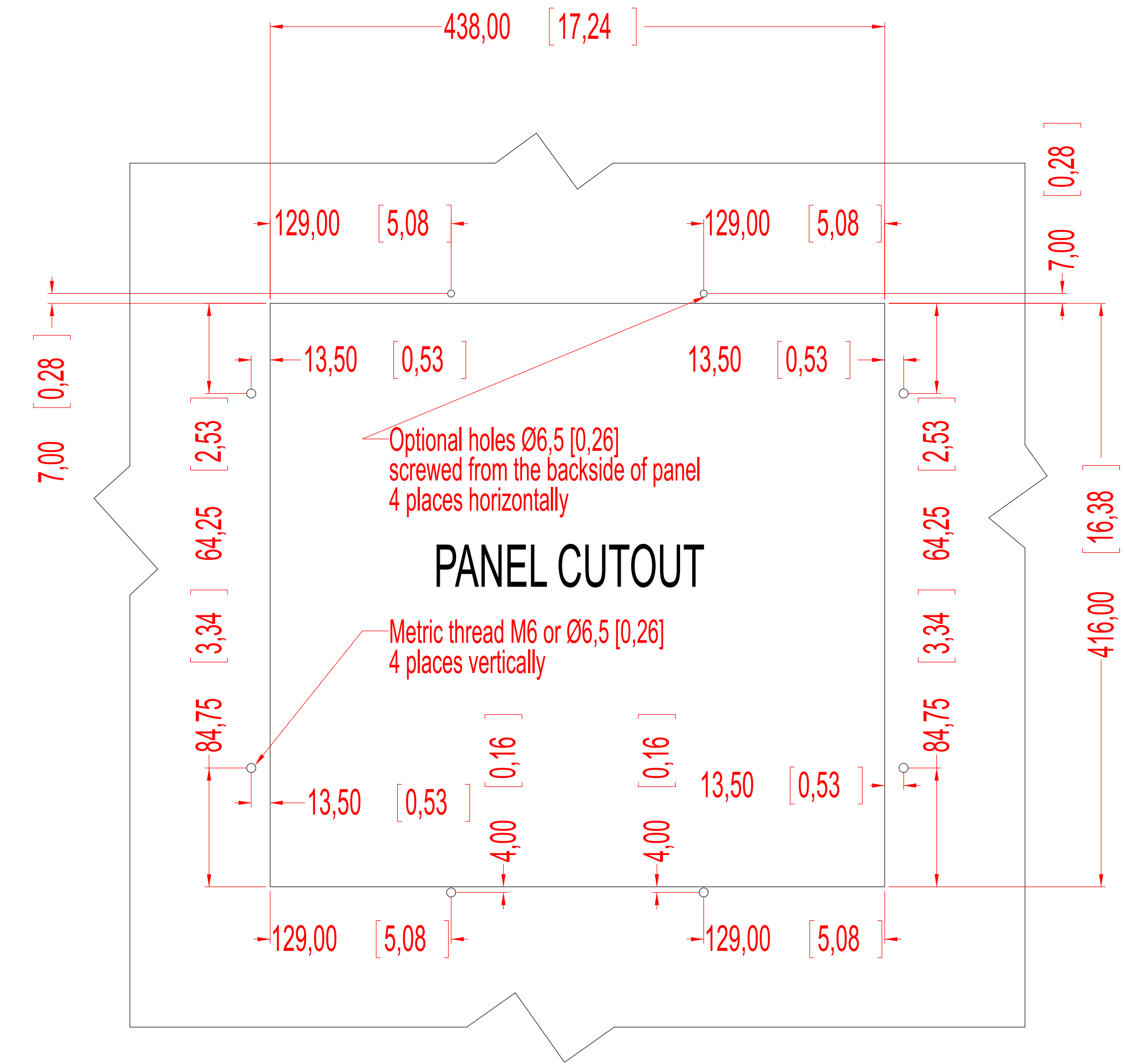
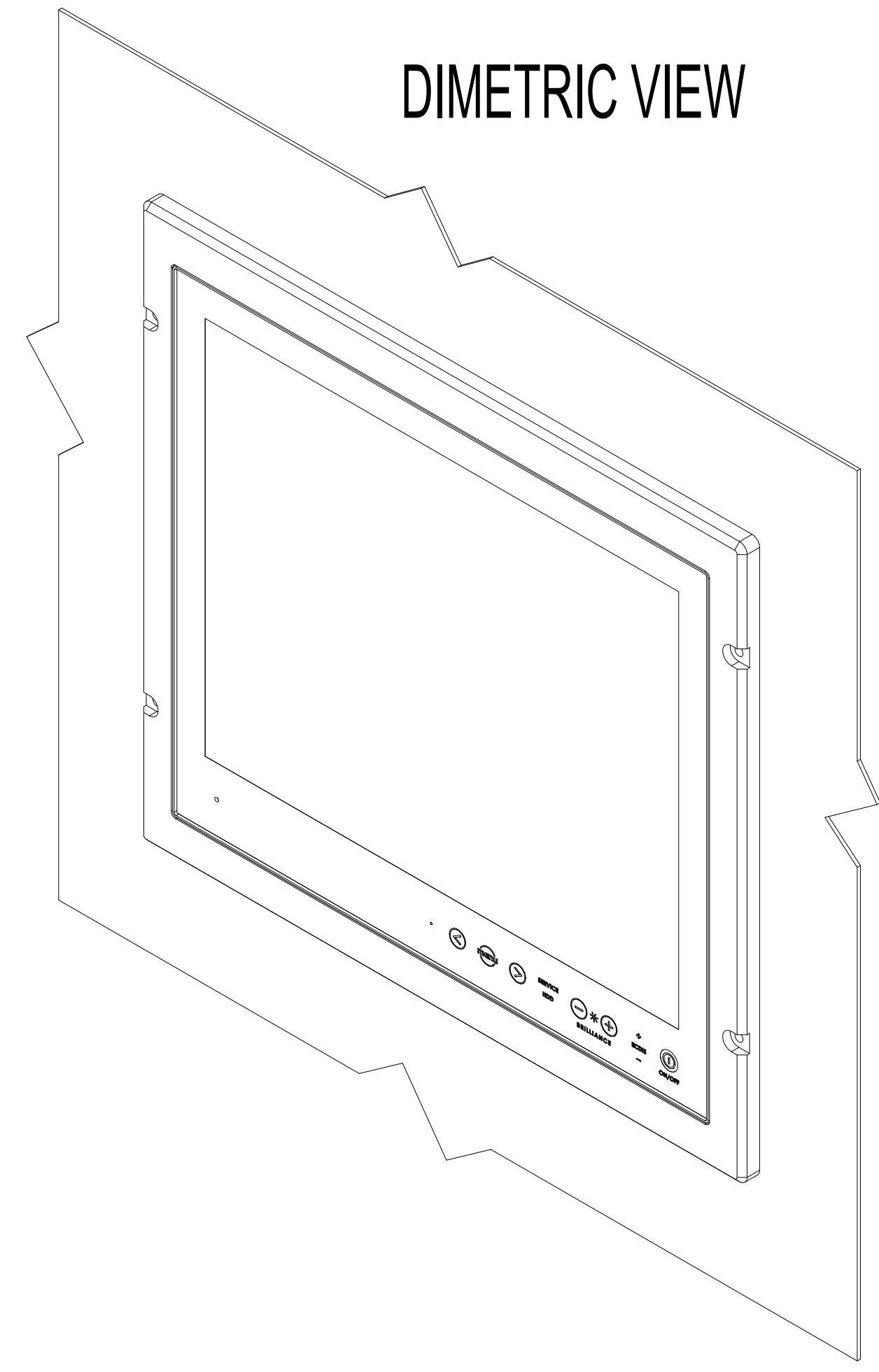
BOTTOM VIEW



TOP VIEW



DIMETRIC VIEW



Units: mm [inches]

SALES DRAWING JH 19TAP STD-C1

Frame Adapter 19inch Series 1 to 19inch Series X

| | | | |
|--|-------------|------------------------------|--|
| Creation date / by: / 17.11.14 7258 | Projection: | A1 | HATTELAND DISPLAY |
| Last rev. date / by: | | Scale: 1:2 | |
| Hatteland Display AS Åmsosen N-5578 Nedre Vats | | Tolerance: ISO 2768-1 middel | Approved by: _____ Revision: _____ Drawing number: P016228 |