



elektrosistem



## DC-DC SWITCHING CONVERTERS

### SMPS08F SMPS15F SMPS30FA



SMPS DC-DC switching converters have been specially designed by ELEKTROSISTEM to provide power to auxiliary electrical circuits on battery powered vehicles like windscreen wipers, driving lamps, fans, flash lights, servo-controls, etc... Thanks to the compact size for an easy installation and to the switching technology they represent a valid and money-saving alternative to resistive and linear converters or to electric auxiliary equipment with battery tapping (which may damage batteries).

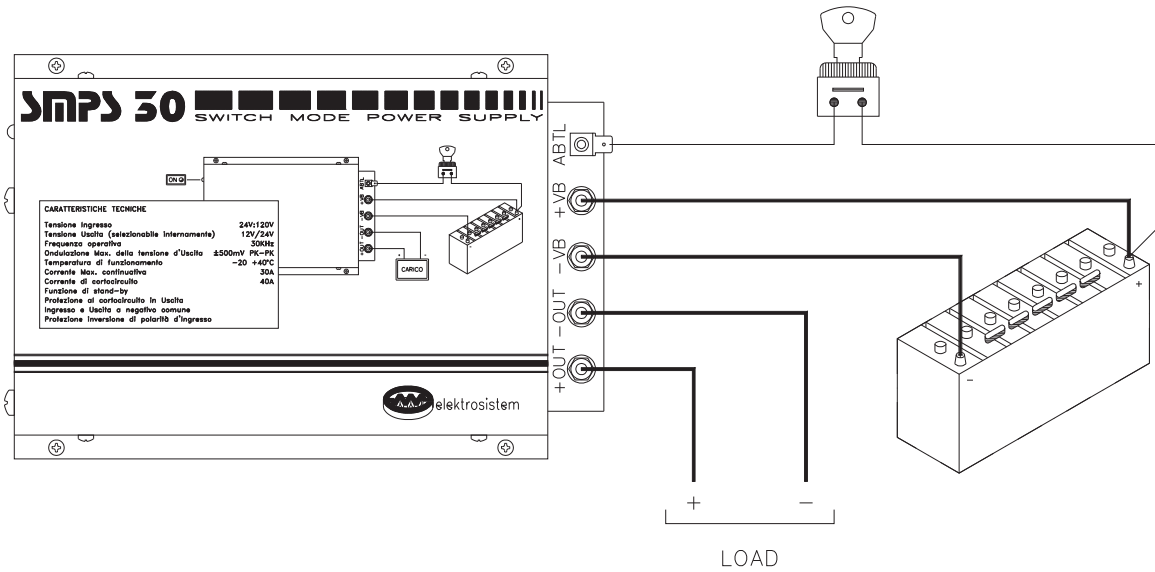
The advanced technology and the high efficiency make SMPS08F, SMPS15F and SMPS30FA converters a reliable, versatile and competitive product.

#### TECHNICAL SPECIFICATIONS

<i>MODELS</i>	<b>SMPS08F</b>	<b>SMPS15F</b>	<b>SMPS30FA</b>
Protection against output short circuit	✓	✓	✓
Stand-by function	✓	✓	✓
Input and output with common negative wire	✓	✓	✓
Operation temperature	from -20° to +40°C		
Efficiency	90%		
Weight	1 Kg	2 Kg	2.5 Kg
<i>INPUT</i>			
Multivoltage	from 24V to 120V		
Operation frequency	60 KHz	30 KHz	30 KHz
Reverse polarity protection	Fuse + Diode		
<i>OUTPUT</i>			
Voltage (by jumper inside the converter)	12V / 24V	12V / 24V	12V / 24V
Continuous Max. current inV 24V	8,5A / -	14A / -	21A / -
Continuous Max. current inV 36V	8,6A / 8,0A	16A / 10,5A	25A / 18A
Continuous Max. current inV 48V	8,7A / 8,3A	18A / 14A	28A / 22A
Continuous Max. current inV 60V	8,7A / 8,5A	19,5A / 14,5A	29A / 23A
Continuous Max. current inV 80V	8,7A / 8,5A	20,5A / 16,5A	31A / 25A
Continuous Max. current inV 120V	8,7A / 8,5A	22A / 17,5A	33A / 28A
Short circuit current	10A	20A	40A

~~NEWS~~

WIRING DIAGRAM for SMPS08F, SMPS15F and SMPS30FA

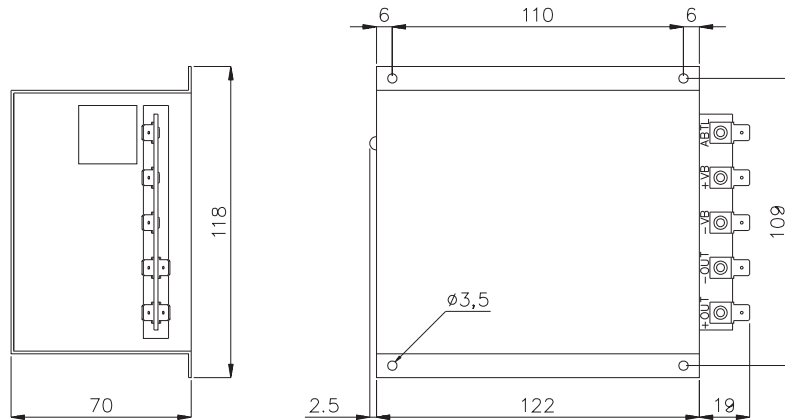


WARNINGS:

# Assemble in a position that does not hinder forced ventilation for heat disposal; do not obstruct ventilation grids.

DIMENSIONS

SMPS08F



SMPS30FA (SMPS15F)

