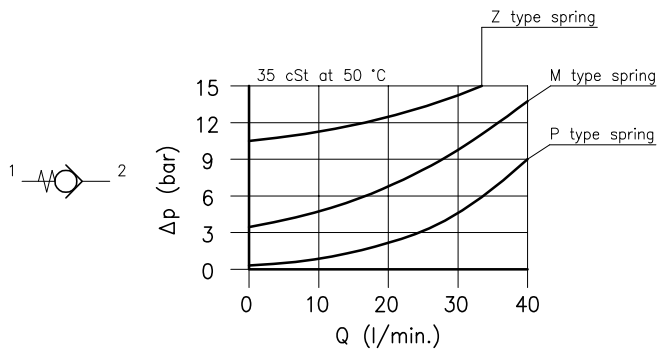
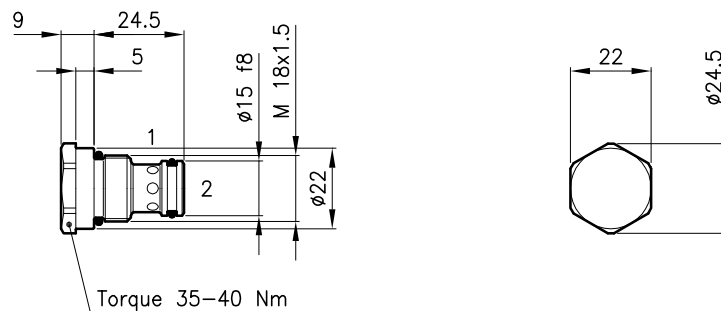


**Technical features**


|   |             |
|---|-------------|
| Cavity (For dimensions see catalogue 17.000)            | S 20/2      |
| Nominal flow (l/min.)                                   | 35          |
| Max. pressure (bar)                                     | 420         |
| Cracking pressure (bar)                                 | 0.35-3.5-11 |
| Fluid viscosity range (cSt)                             | 2.8 - 380   |
| Fluid temperature range (°C)                            | -20 +80     |
| Mass (kg)   | 0.055       |
| Hydraulic fluid; mineral oil HM and HV                  | ISO 6074    |
| Recommended filtration; 19/15 ISO 4466 (25 μ absolutes) |             |
| Standard seals in Polyurethane and Buna N               |             |

**Dimensions**

**Ordering informations**
**CAE 20/P**

CAE 20 = Valve type



Standard springs

**P** = 0.35 bar

**M** = 3.5 bar

**Z** = 11 bar

Codes:

CAE 20/P 22 011 106

CAE 20/M 22 011 107

CAE 20/Z 22 011 164

External seals kit 90 620 100

CAE 20 valves can be assembled on standard bodies 20-LO series; for dimensions see catalogue 16.010