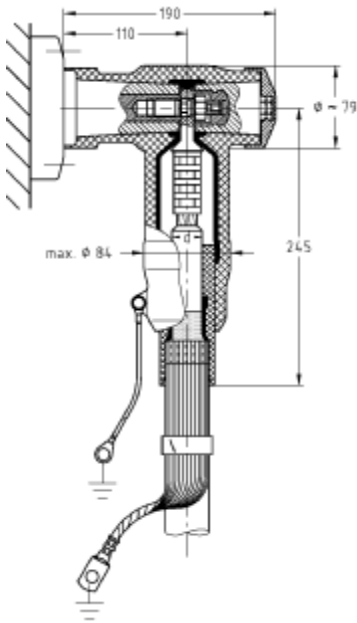


Connector Branch 36 kV

CB 36-630



CB 36-630



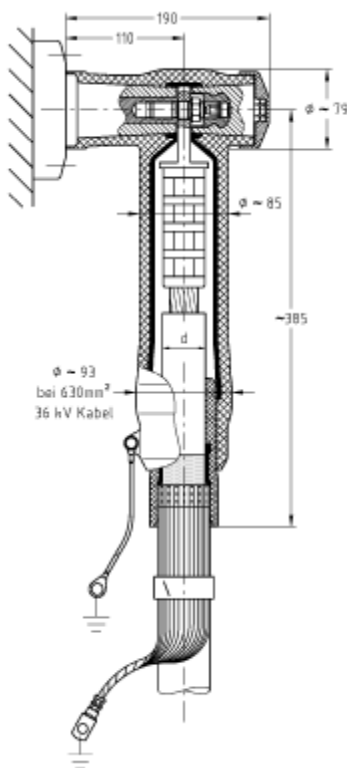
The **CB 36-630** is a connector made of silicone for cable connection to switchgears (RMU) and transformers up to 42 kV with bushings type C according to EN 50180, EN 50181 and DIN 47636.

- quick and easy assembly
- application range 25-630 mm², up to 1250 A*
- screening by outer conductive layer, therefore touch-proof for optimal staff safety
- integrated stress control tube
- usable for various cable lug types
 - Screwed type
 - Hexagonal pressing
 - Deep indent pressing
- cable sheath testing without dismantling of connector
- extremely short installation depth of 300 mm for double cable connections or with surge arrester
- capacitive measuring point

Technical Data

diameter over core insulation:	17,0 – 51,0 mm
conductor cross section:	25 – 630 mm ²
maximum system voltage:	42 kV
Continuous nominal current:	630/1250 A*
Partial discharge at 2 U ₀ :	< 1pC
AC withstand voltage, 5 min.:	94 kV
DC withstand voltage, 15 min.:	125 kV
Impulse withstand voltage:	200 kV

* if installed on bushings with dimensions acc. to EH 50181 type C



CB 36-630

Cross Section (mm ²)	Stress cone size	Stretch range (mm)	Ref.-Nr.		
			Basic-Set without cable lug	With cable lug	
				Al-conductor	Cu-conductor
25	Typ 5003	17,0-24,3	26331 91	26331 51	26331 01
35				26331 52	26331 02
50	Typ 5005	21,2-33,5	26331 92	26331 53	26331 03
70				26331 54	26331 04
95				26331 55	26331 05
120				26331 56	26331 06
150	Typ 5027	28,9-40,0	26331 93	26331 57	26331 07
185				26331 58	26331 08
240				26331 59	26331 09
300				26331 60	26331 10

CB 36-630 (1250)

Cross Section (mm ²)	Stress cone size	Stretch range (mm)	Ref.-Nr.		
			Basic-Set without cable lug	With cable lug	
				Al-conductor	Cu-conductor
400	Typ 31	34,0-45,6	26381 96	26381 61	26381 11
500				26381 62	26381 12
630	Typ 37	39,1-51,0	26381 97	26382 63	26382 13

nkt cables GmbH
 cable accessories
 Helgoländer Damm 75
 D-26954 Nordenham
 Phone: +49 (0) 4731-364 330
 Fax: +49 (0) 4761-364 368
 e-mail: info.nordenham@nktcables.com
 Internet: www.nktcables.com