

PDE – 4-digit digital panel meter in 48x48 mm

Pressure device with integrated pressure sensor 16 bar

- zero balance via keypad with permanent storage
- pressure rang control via relay
- optional galvanic insulated analog output



ORDER NUMBER OF TYPE EUR
(without options)

• Pressure

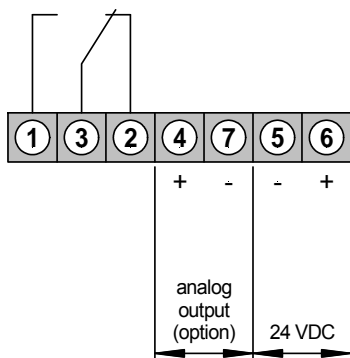
Pressure connection



Power supply 24 VDC

PDE 4.003.8361E

375,00



• Order key options

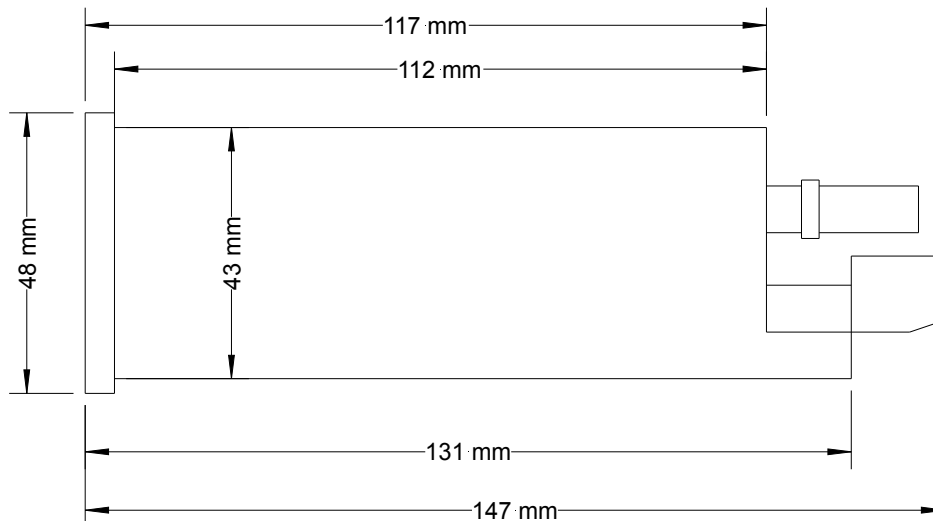
P	D	E	4	0	0	3	8	3	6	1	E	EUR	
											7	Protection class IP65	10,25
											9	Protection class IP54	6,15
											1	Analog output 0-10 VDC / 16 Bit	115,00
											2	Analog output 0-20 mA / Burden 400 Ω	115,00
											3	Analog output 4-20 mA / Burden 400 Ω	115,00

Please state physical unit on demand, e.g. bar.

• Technical data

Housing	Dimensions	W 48 x H 48 x D 147 mm, (including plug-in terminal)
	Assembly cut out	45.0 ^{+0.6} x 45.0 ^{+0.6} mm
	Fastening	special quick plastic clamp proper to fix in wall thickness up to 50 mm
	Housing material	PC/ABS-plastic blend, colour black, UL94V-0
	Protective system	at the front IP40, connection IP00
	Weight	approx. 160 g
Connection	at the rear side via plug-in terminal up to 2.5 mm ²	
Input	Measuring range	0-16 bar
	Overpressure	24 bar permanently (Cracking pressure)
	Sensor	piezo resistive pressure sensor hybrid
	Pressure port	connection via 4 mm quick-release connector for pressure hose
Output	Relay output	charge 230 VAC/5 A – 30 VDC/5 A
	Analog output	0 -10 VDC – 16 bit (option)
	Analog output	0 – 20 mA - load 400 Ω/16 bit (option)
	Analog output	4 – 20 mA - load 400 Ω/16 bit (option)
Accuracy	Resolution	0.00 up to 16.00 bar
	Linearization fault	0.3% of FS
	Hysteresis	0.2% of FS
	Measuring fault zero point	0.1% of FS
	Temperature drift	max. 500 ppm/K / typically 150 ppm/K
	Measuring principle	Voltage converter / frequency converter (values mentioned above, after 5 min. of operation)
Power unit	Supply voltage	24 VDC (±20%)
	Power consumption	approx. 5 VA
Indication	Display	LED with 7 segments, 14 mm high, red 4-digit = indication 9999
	Overflow	Indication of 4 transversal bars
	Indication time	1 second
Ambient conditions	Working temperature	0 up to +60°C
	Storing temperature	-20 up to +80°C
CE-sign	Conformity to directive 2004/108/EG	
EMV	EN 61326	
Safety standard	according to low voltage directive 2006/95/EG; EN 61010; EN 60664-1	

Housing



• Ordering code

		P	D	E	4.	0	0	3.	8	3	6	1	E		
Basic model														Version	
														E	version E
Pressure	D														
Internal index	E													Switching points (standard)	
														1	1 relay output
Number of digits														Mechanical options	
4 digits	4													6	foil keyboard, protection IP40
														7	plug-in terminal, foil keyboard, IP65
														9	plug-in terminal, foil keyboard, IP54
Sensor supply														Power supply	
no sensor supply	0													3	24 VDC
Outputs														Size of housing	
no outputs	0													8	48x48 mm (BxD)
0-10 V	1														
0-20 mA	2														
4-20 mA	3														
														Measuring input	
														3	16 bar pressure