

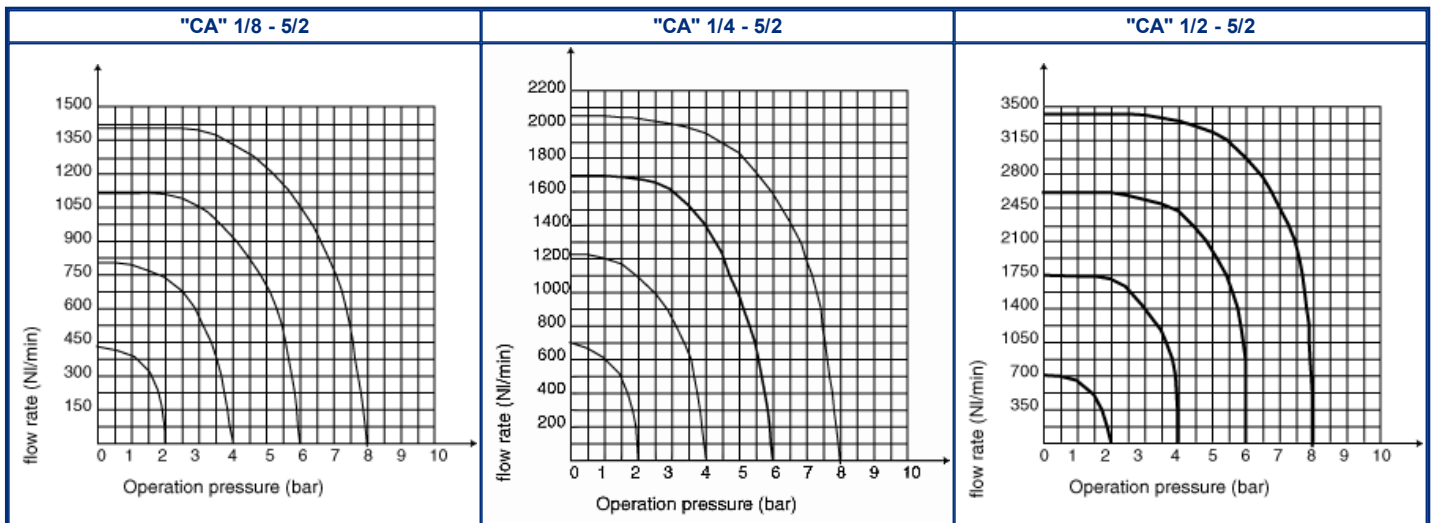
**DESCRIPTION:** Valves series "CA" are produced in the 3/2, 3/3, 5/2 and 5/3 pneumatic functions. The poppet kind of construction and the very rugged control allow the valve to stand high stress. The push-button and mushroom controls are available only in the 3/2 monostable pneumatic functions for the size 1/8.

TECHNICAL DATA	
Operating pressure	0 ÷ 12 bar
Working temperature	0 ÷ +70°C (-20°C with dry air)
Medium	Filtered, lubricated compressed air
Life	50 million operations at 6 bar (in optimal use conditions)
Port size	1/8, 1/4, 1/2,
Nominal diameter	1/8 = 6mm; 1/4 = 8mm; 1/2 = 12mm;
Controls:	
Mechanical	Plunger, roller lever, short roller lever, unidirectional roller lever
Manual	Tapper, push-button, mushroom, vertical knob, lateral knob, lateral hand-wheel

MATERIALS	
Control rod	Hardened and nickel-plated steel
Body	Anodized aluminum alloy
Springs	Stainless steel
Seals	NBR rubber
Guide bushing	Brass
Piston	Acetal resin
Bottom plug	Nickel - plated brass
Controls	
Lever	Steel
Plunger	Nickel - plated brass
Knobs; handgrips; push-buttons	Plastic material
Roller	Ball bearing (plastic material upon request)

[FLOW CHARTS](#)  
[VALVES 5 PORT MANUALLY ACTUATED 1/8 - 1/4 - 1/2](#)

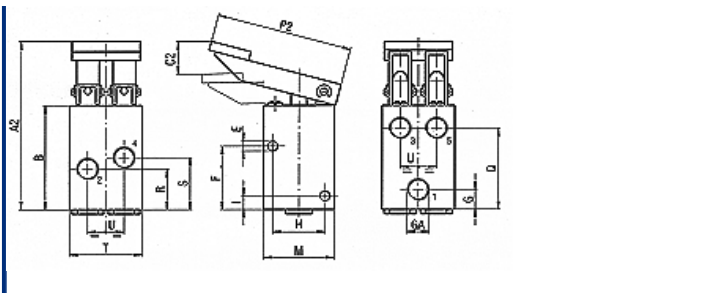
**FLOW CHARTS FOR "CA" VALVES**



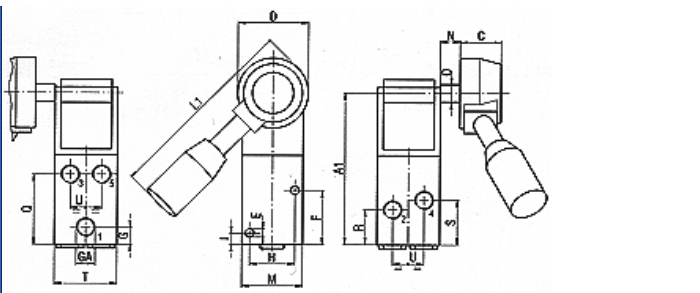
[Back to the top](#)

**VALVES 5 PORT MANUALLY ACTUATED 1/8 - 1/4 - 1/2**

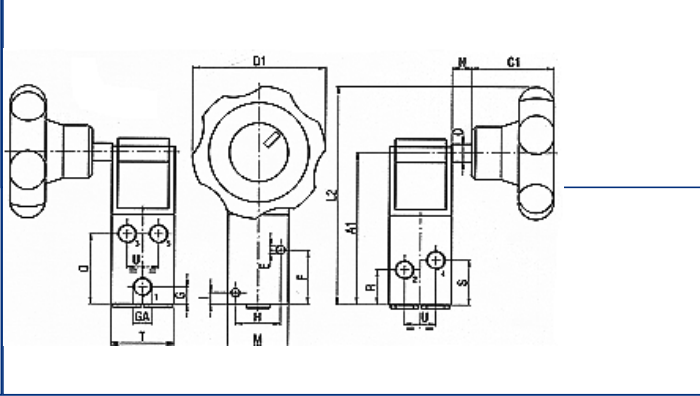
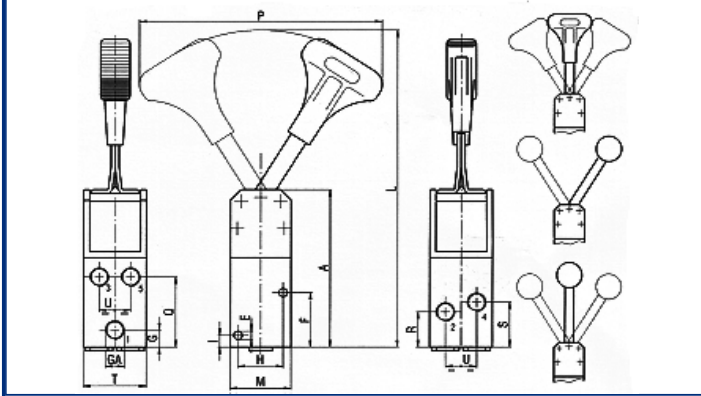
5/2 TAPPER	5/2 LATERAL KNOB



5/2 O.C. - 3/3 C.C. VERTICAL KNOB

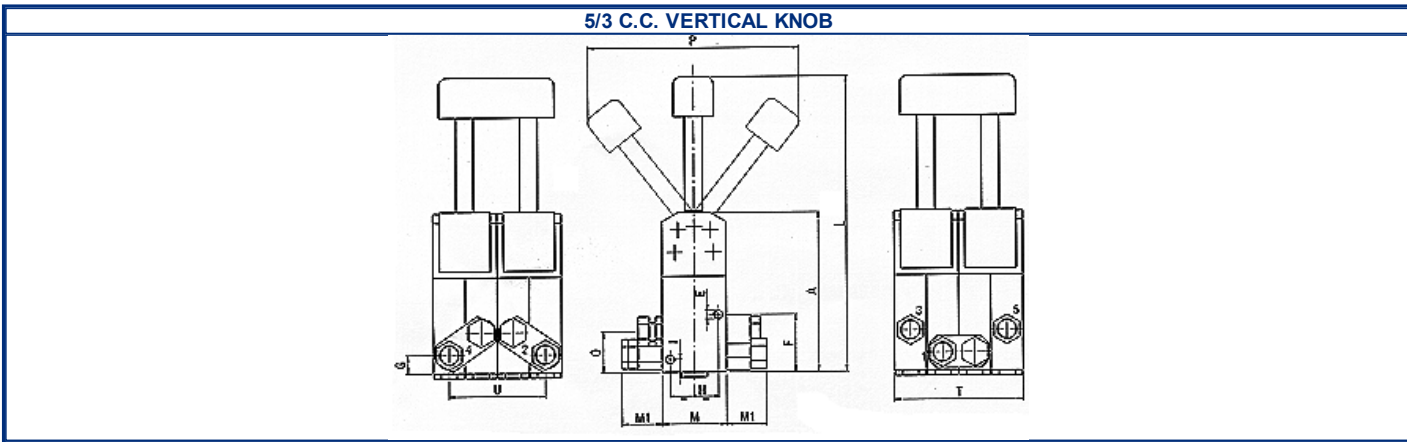


5/2 LATERAL HAND-WHEEL



GA	A	A1	A2	B	C	C1	C2		D	D1	E	F	G	H
							min.	max.						
1/8	80	77	78	46	20	42	8	15,5	36	70	4,3	28	8,8	23
1/4	100	95	98	60	20	42	11	22,5	36	70	5,3	35	11,5	30
1/2	130	124	100	80	-	-	28	35	-	-	6,4	49	15	38

GA	I	L	L1	L2	M	N	O	P	P2	Q	R		S	TA	U
											N.O.	N.C.			
1/8	6	162	100	112	31	10	9	124	60	36	23	18	23	32	16
1/4	6	188	100	130	40	10	9	152	83	46	30	25,5	30	40	20
1/2	10	238	-	-	50	-	-	180	145	63,3	40	30	40	50	25



5/3 C.C. VERTICAL KNOB

GA	A	E	F	G	H	I	L	M	M1	P	Q	T	U
1/8	81	4,3	28	8,8	23	6	157,5	31	-	111	18	64	48
1/4	100	5,3	35	11,5	30	8	185	40	24	132	25,5	80	60
1/2	130	6,4	49	15	38	10	235	50	29	162	30	100	29

Symbol	Function	Controls		Flow rate at 6 bar P=1 bar (Nl/min)	Weight (g)	Size	CODE
		Pilot	Return				

	5/2 monostable	Tapper	Mechanical spring	650	180	1/8	CAT8
				1040	405	1/4	CAT4
	5/2 monostable	Vertical knob	Mechanical spring	650	315	1/8	CAM8
				1040	600	1/4	CAM4
				2050	1160	1/2	CAM2
	5/2 Bistable	Vertical knob	Vertical knob	650	380	1/8	CAM8F
				1040	650	1/4	CAM4F
				2050	1160	1/2	CAM2F
	5/2 Monostable	Lateral knob	Mechanical spring	650	375	1/8	CAML8
				1040	650	1/4	CAML4
	5/2 Bistable	Lateral knob	Lateral knob	650	375	1/8	CAML8F
				1040	635	1/4	CAML4F
	5/2 Monostable	Lateral hand-wheel	Mechanical spring	650	395	1/8	CAVL8
				1040	665	1/4	CAVL4
	5/2 Bistable	Lateral hand-wheel	Lateral hand-wheel	650	380	1/8	CAVL8F
				1040	650	1/4	CAVL4F
	5/3 Monostable open center	Lateral knob	Mechanical spring	815	315	1/8	CCM8
				950	605	1/4	CCM4
				2250	1165	1/2	CCM2
	5/3 Stable open center	Vertical knob	Vertical knob	815	385	1/8	CCM8F
				950	575	1/4	CCM4F
				2250	1095	1/2	CCM2F
	5/3 Monostable open center	Lateral knob	Mechanical spring	815	385	1/8	CCML8
				950	675	1/4	CCML4
	5/3 Stable open center	Lateral knob	Lateral knob	815	370	1/8	CCML8F
				950	650	1/4	CCML4F
	5/3 Monostable open center	Lateral hand-wheel	Mechanical spring	815	405	1/8	CCVL8
				950	690	1/4	CCVL4
	5/3 Stable open center	Lateral hand-wheel	Lateral hand-wheel	815	385	1/8	CCVL8F
				950	660	1/4	CCVL4F
	3/3 Monostable closed center	Vertical knob	Mechanical spring	815	310	1/8	HCCM8
				950	600	1/4	HCCM4
	5/3 Monostable closed center	Vertical knob	Mechanical spring	815	740	1/8	XH4CM8
				950	1605	1/4	XH4CM4
				2250	3185	1/2	XH4CM2
	5/3 Stable closed center	Vertical knob	Vertical knob	815	680	1/8	XH4CM8F
				950	1555	1/4	XH4CM4F
				2250	3080	1/2	XH4CM2F

**P.S.:** The version with black vertical knob is available only in size 1/8; to order this version add the suffix "E" to the code.

e.g.: CAM8/E or CCM8/E

[Back to the top](#)