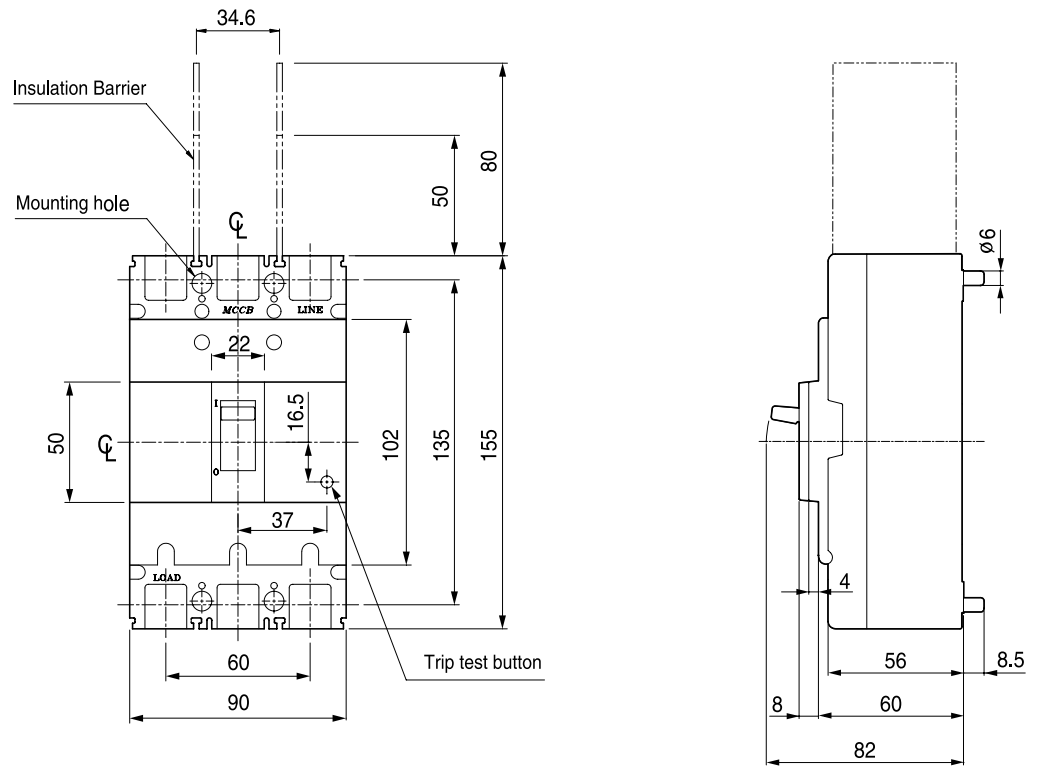


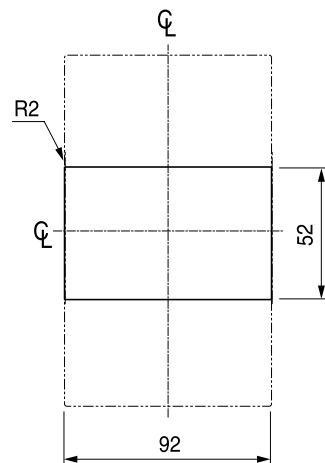
ABS103b

ABH53b

ABH103b



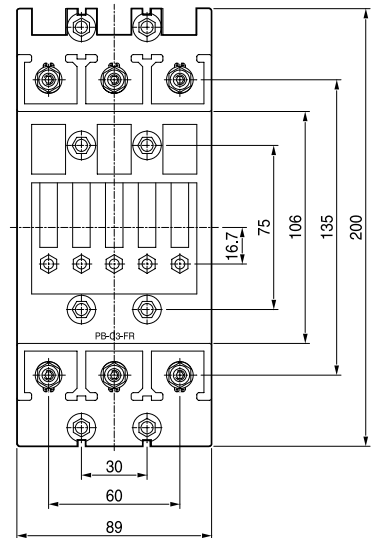
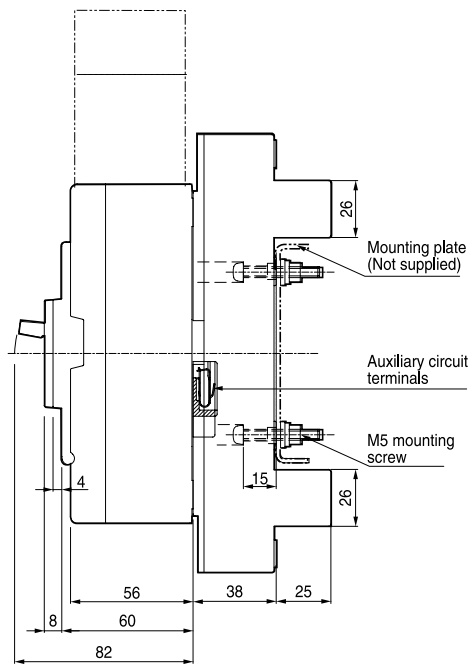
Slot



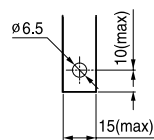
Overall dimensions

Plug-in MCCBs

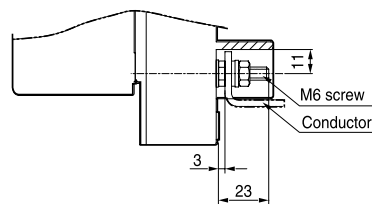
Normal type(PB-C3-FR)



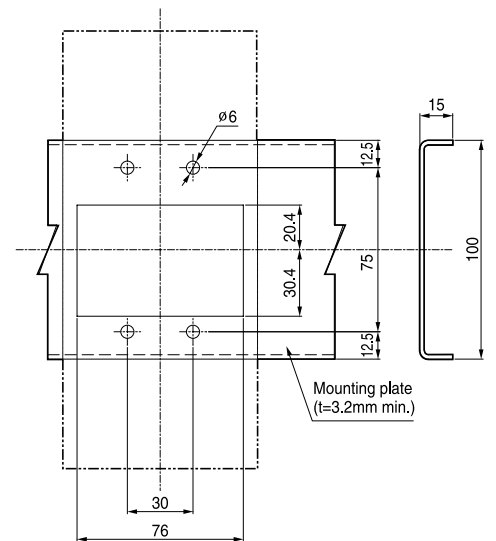
Detail for conductor



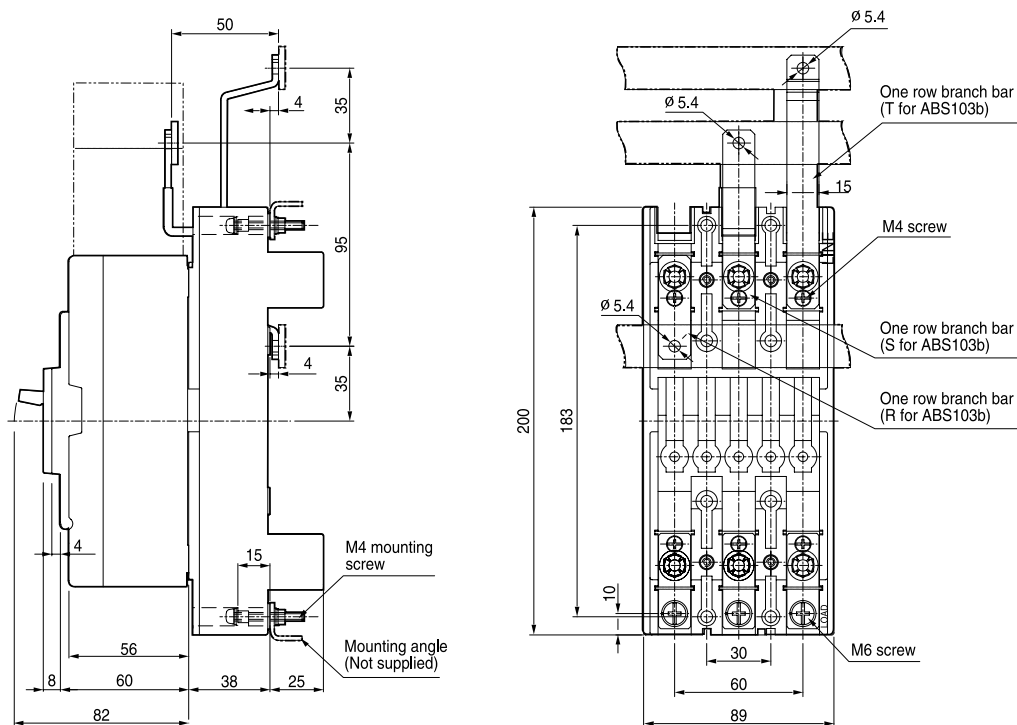
Detail for connection



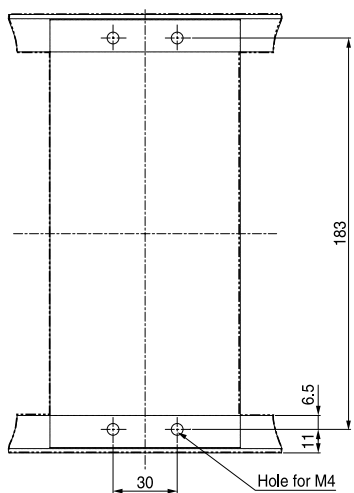
Mounting dimensions



Single-row type(PB-C3-1DB)



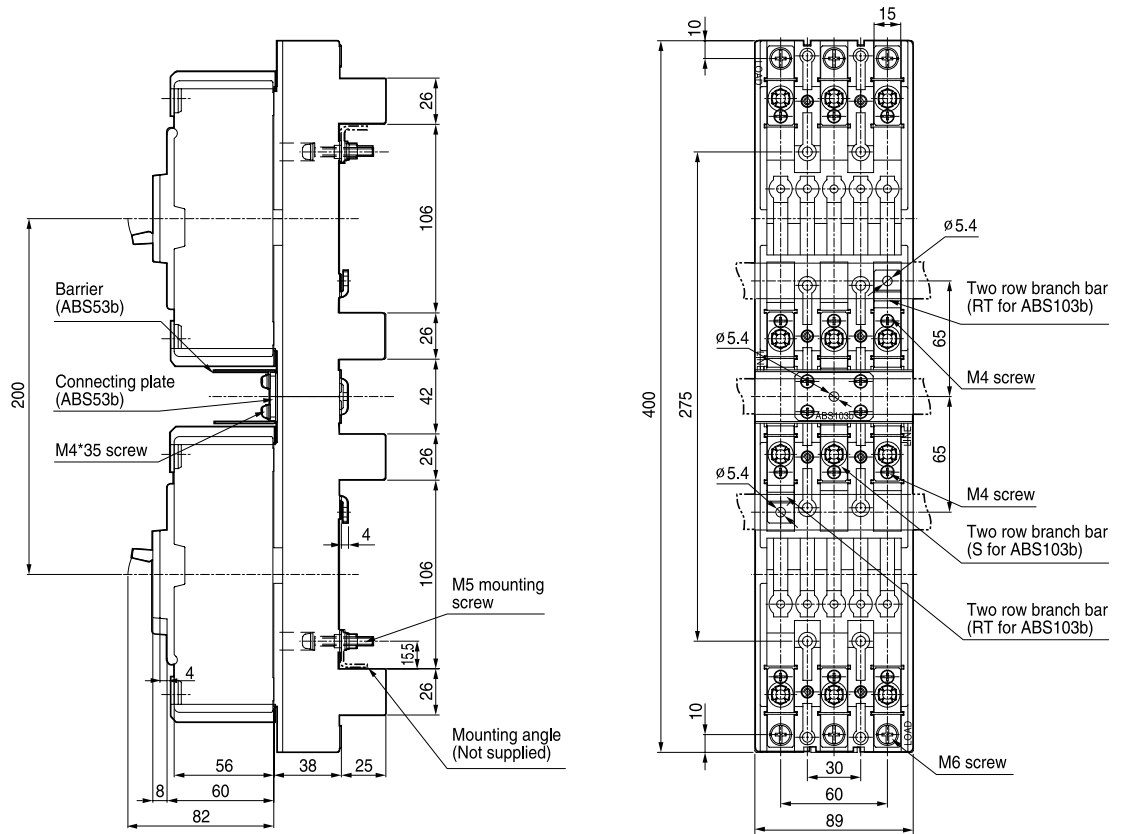
Mounting dimensions



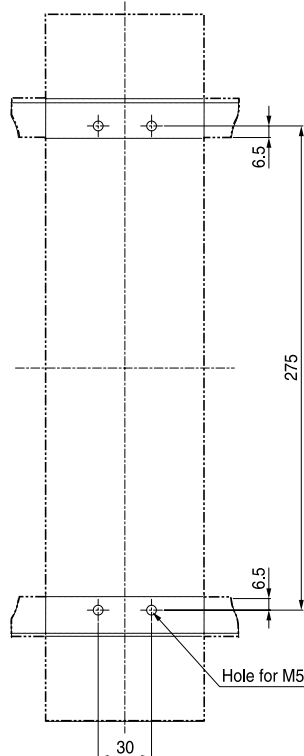
Overall dimensions

Plug-in MCCBs

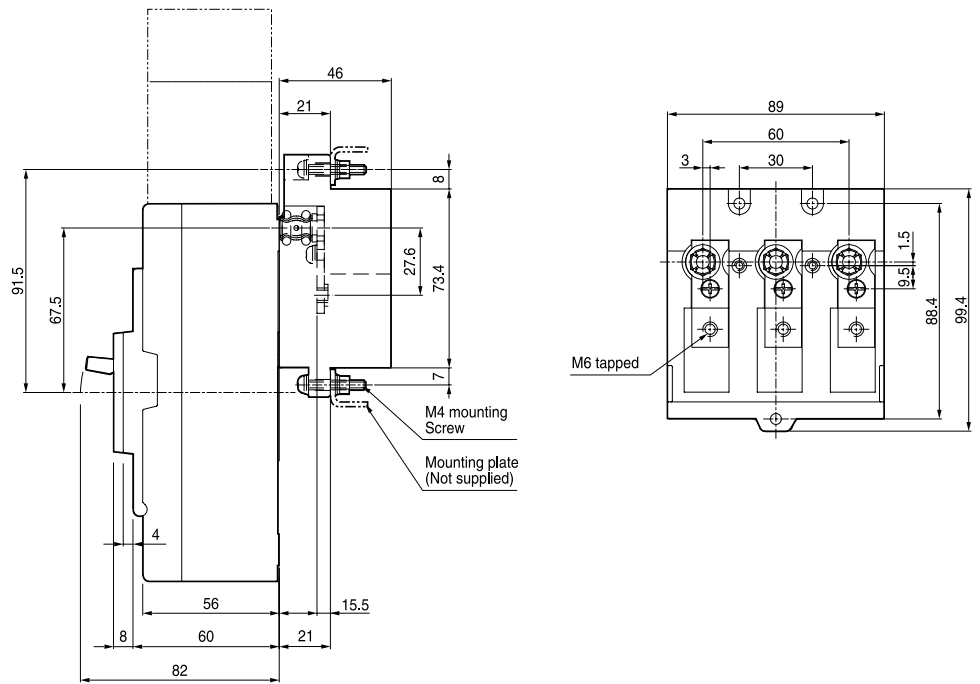
Double-row type (PB-C3-2DB)



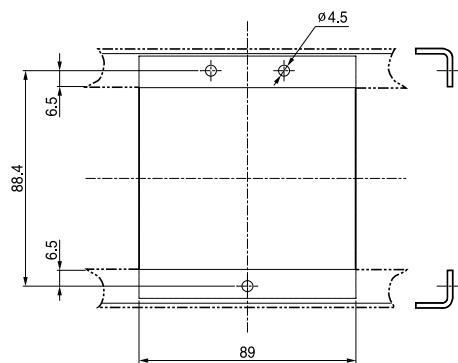
Mounting dimensions



Line-only type(PB-C3-FRL)



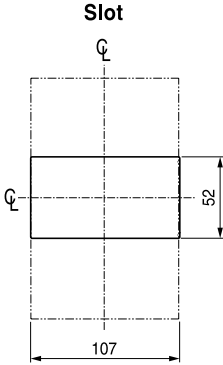
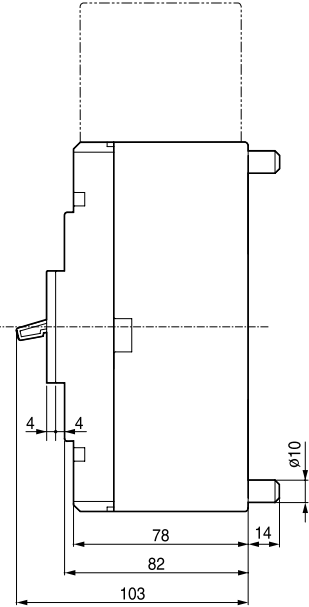
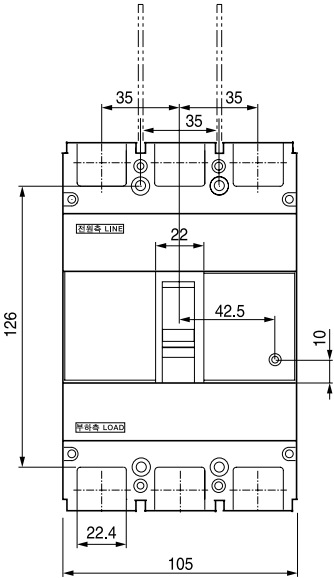
Mounting dimensions



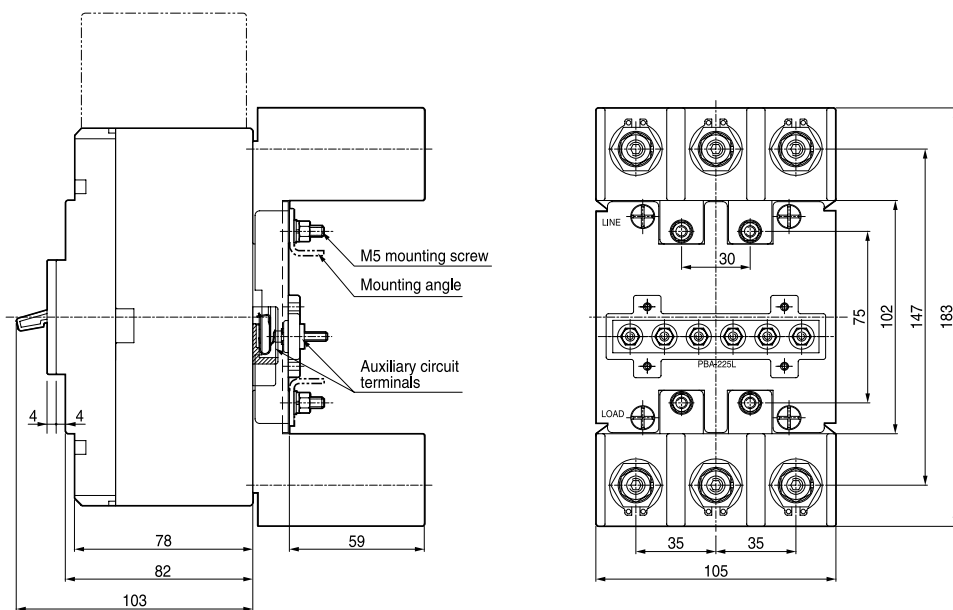
Overall dimensions

Plug-in MCCBs

- ABL53a
- ABL103a

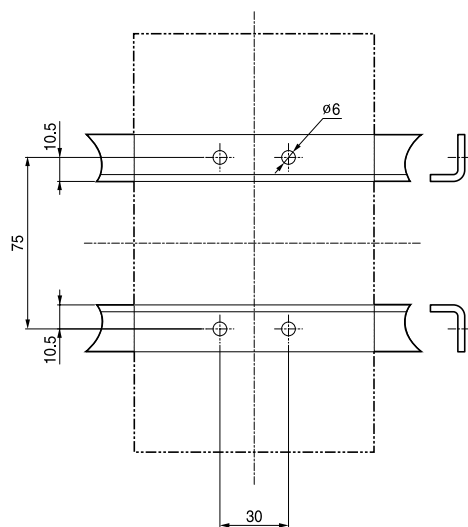
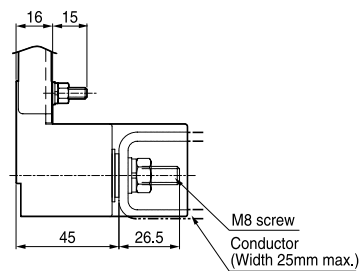


Normal type(PB-E3-FR)



Mounting dimensions

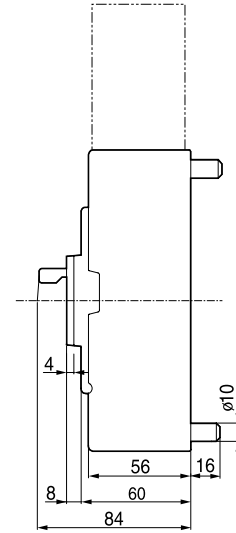
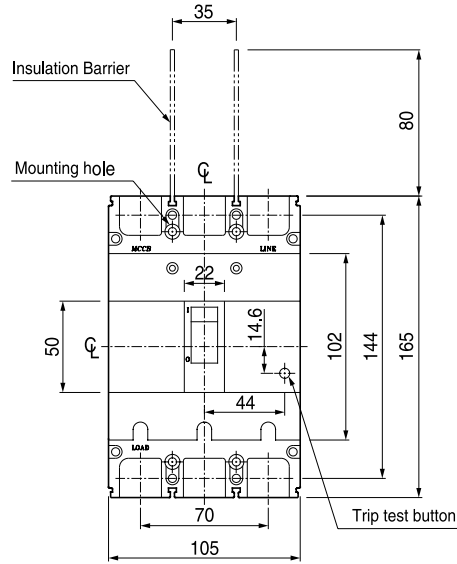
Detail for connection



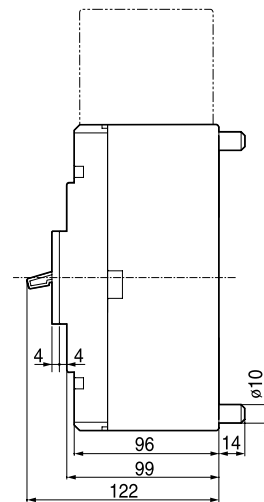
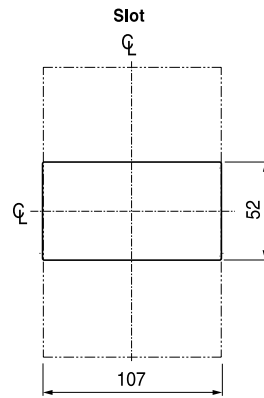
Overall dimensions

Plug-in MCCBs

- ABE203b
- ABS203b
- ABH203b
- ABH203a
- ABL203a



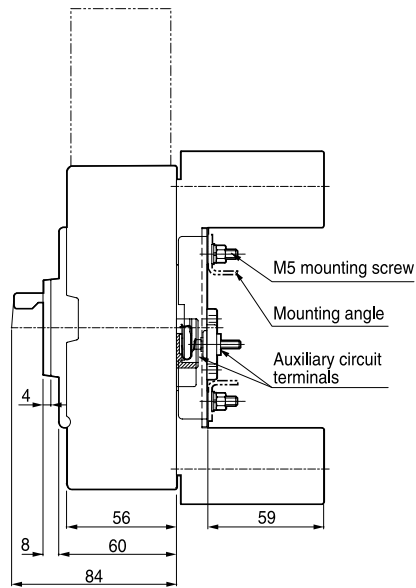
ABE/S/H 203b



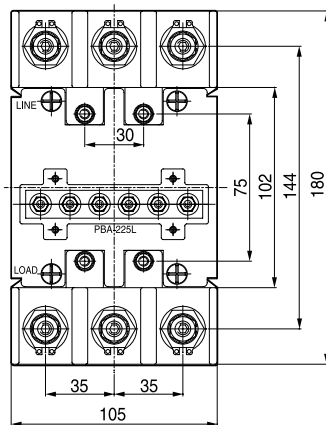
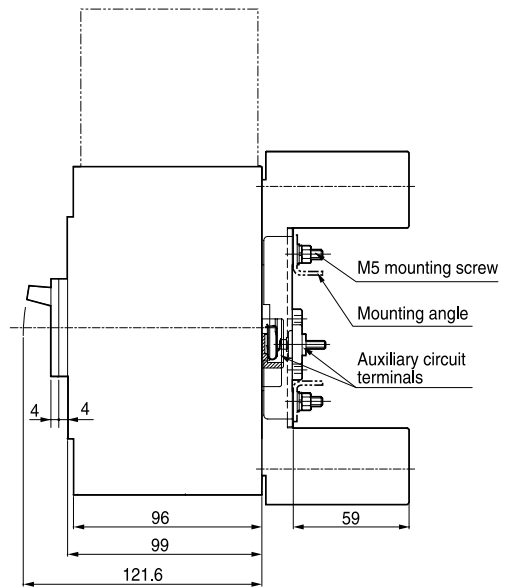
ABH/L 203a

Normal type(PB-D3-FR)

ABE203b, ABS203b, ABH203b

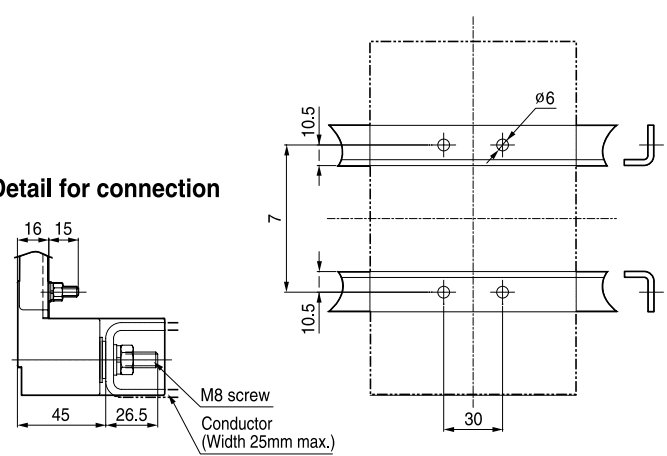


ABH203a, ABL203a

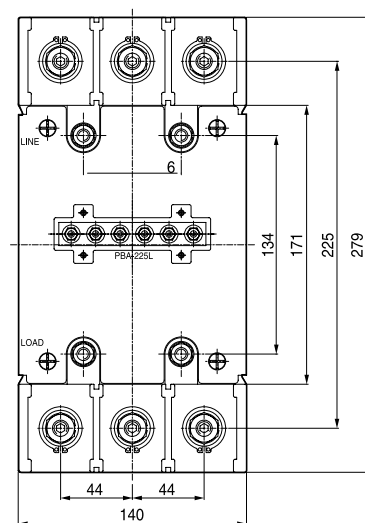
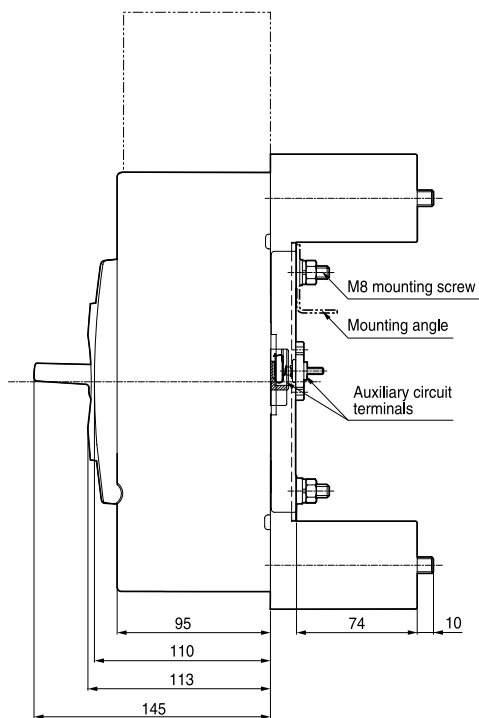


Mounting dimensions

Detail for connection

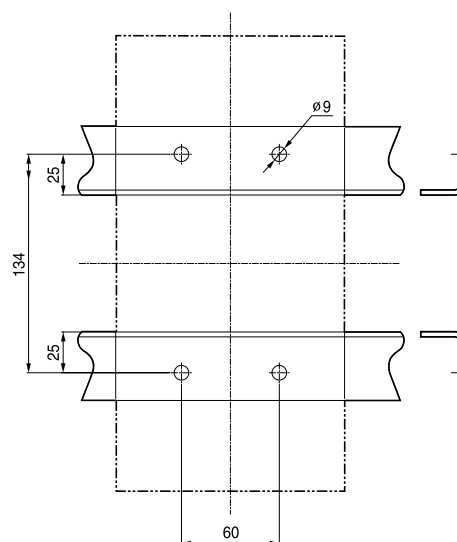
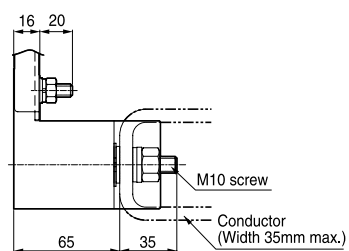


Normal type(PB-I3-FR)

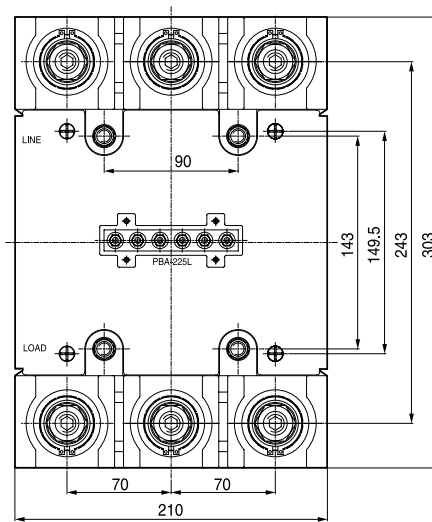
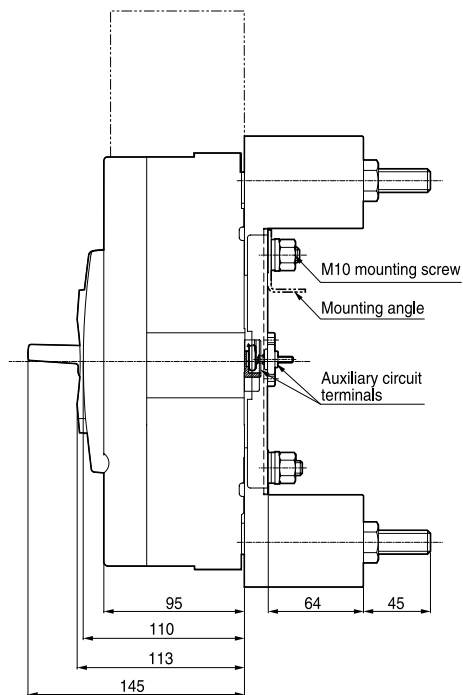


Mounting dimensions

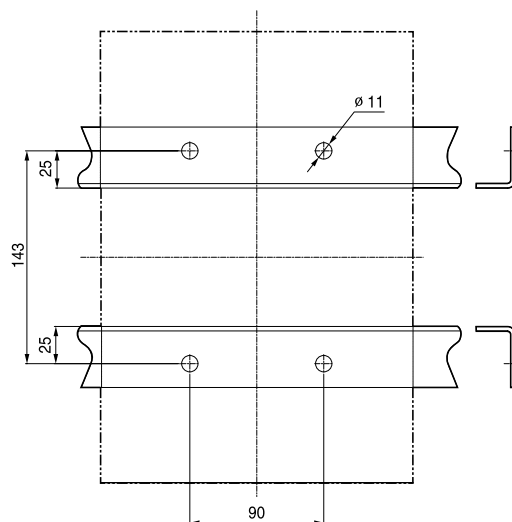
Detail for connection



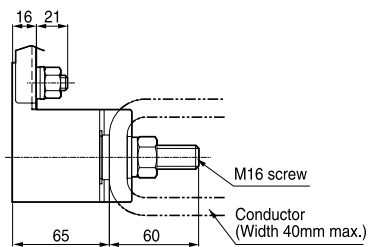
Normal type(PB-J3-FR)



Mounting dimensions



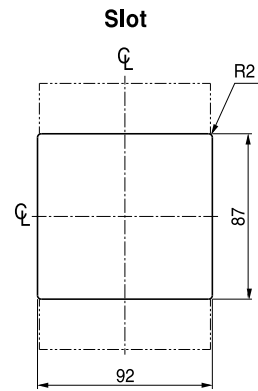
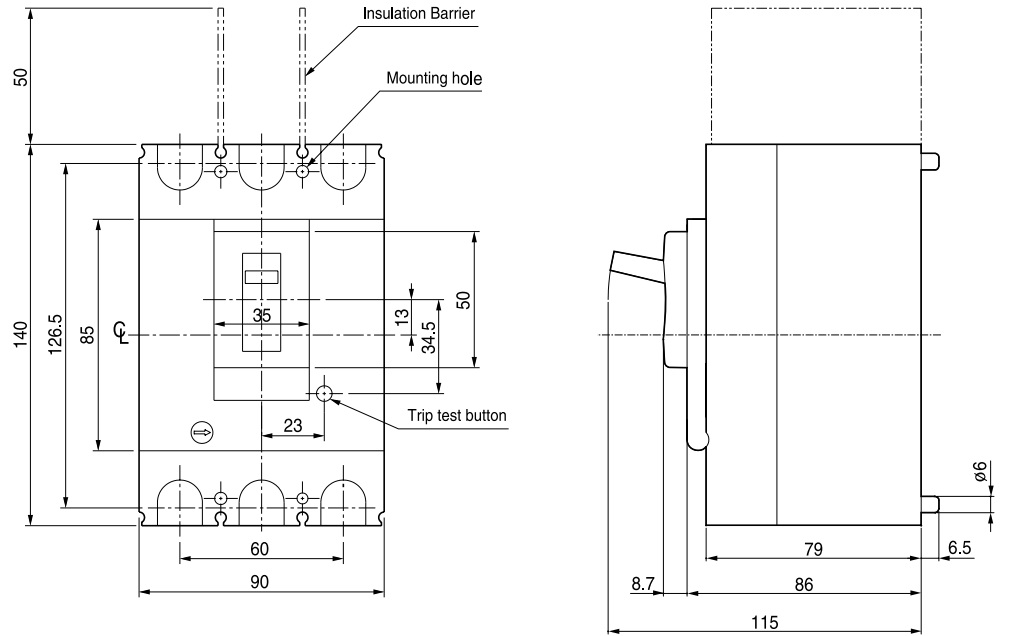
Detail for connection



Overall dimensions

Plug-in MCCBs

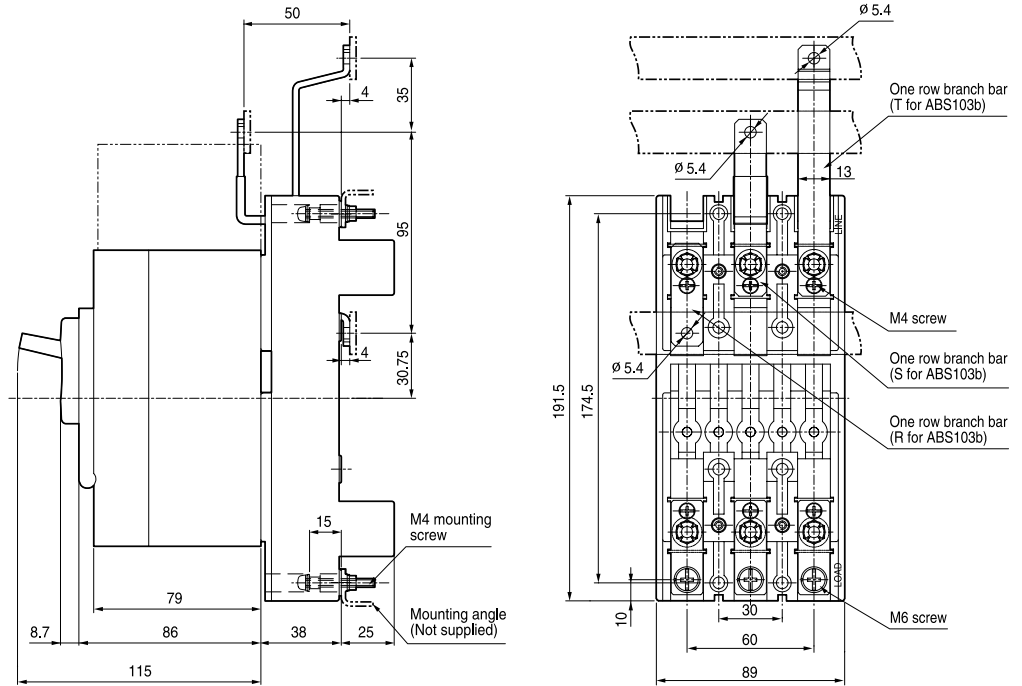
- GBN53
- GBN103
- GBH53
- GBH103



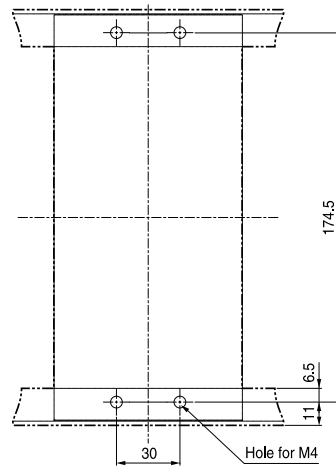
Overall dimensions

Plug-in MCCBs

Single-row type(PB-G3-1DB)



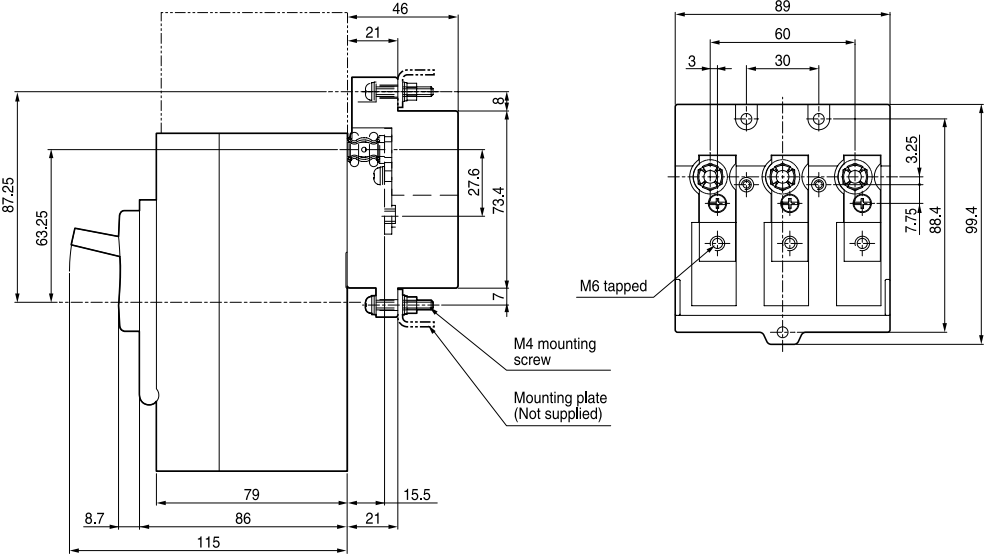
Mounting dimensions



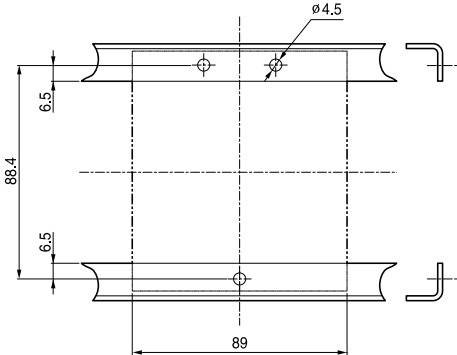
Overall dimensions

Plug-in MCCBs

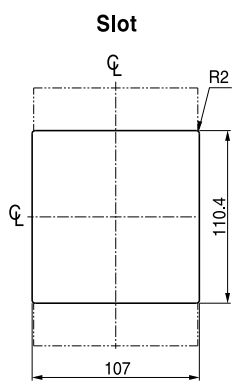
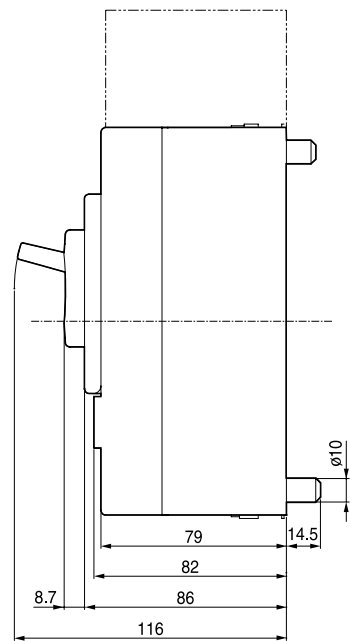
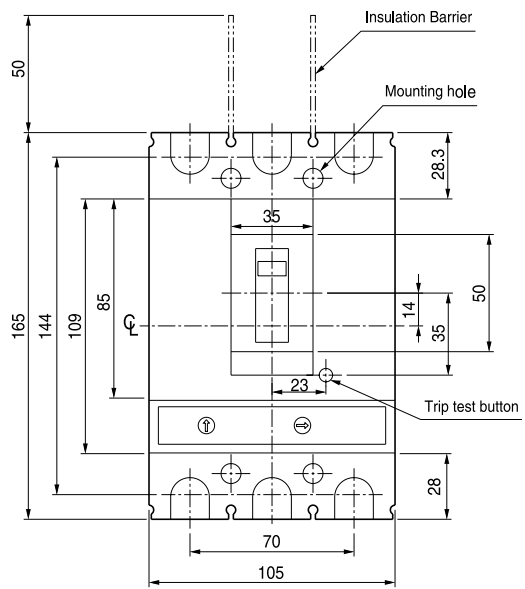
Single-row type(PB-G3-FRL)



Mounting dimensions



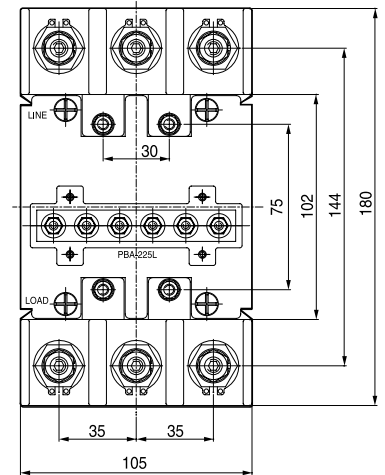
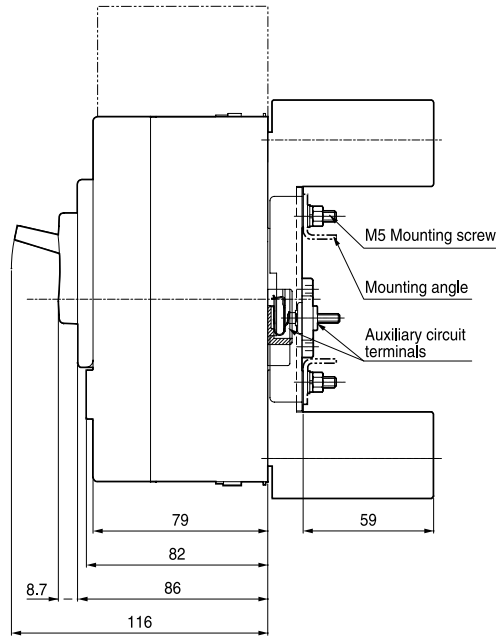
- GBL53
- GBL103
- GBN203
- GBH203
- GBL203



Overall dimensions

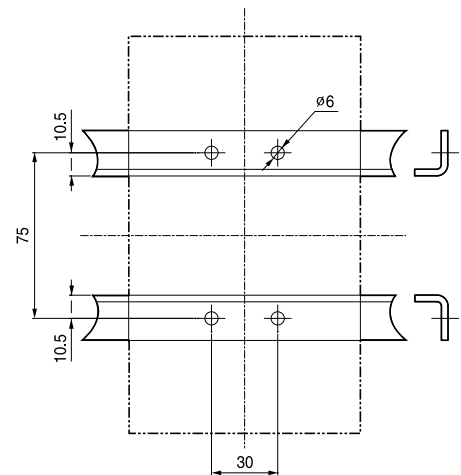
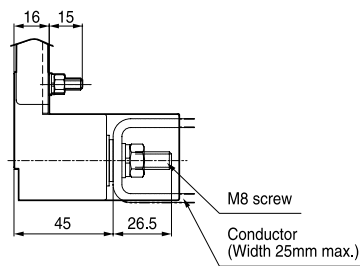
Plug-in MCCBs

Normal type(PB-D3-FR)



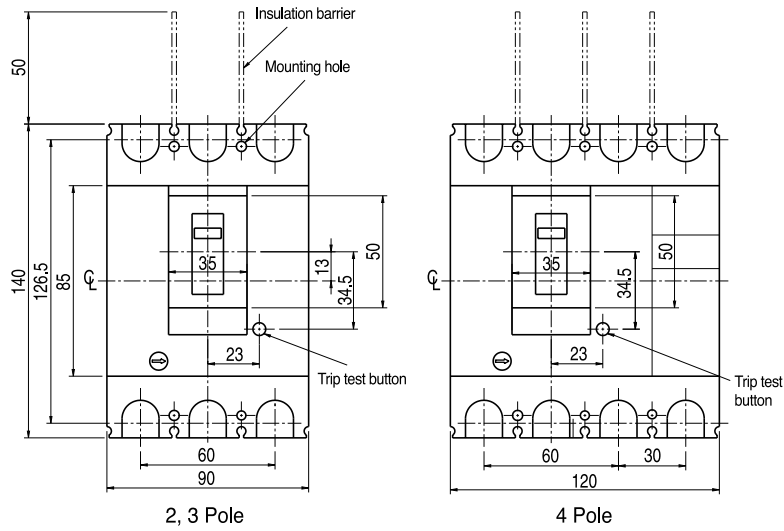
Mounting dimensions

Detail for connection

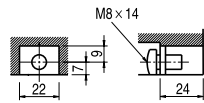


GB type adjustable MCCBs

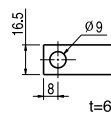
- GBN102
- GBN103
- GBN104
- GBH102
- GBH103
- GBH104



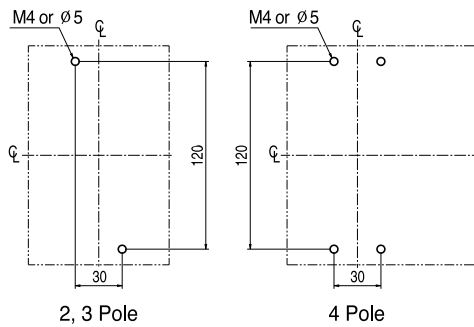
Detailed terminal



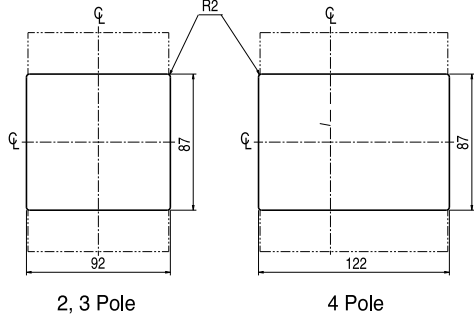
Hole size of a conductor



Mounting



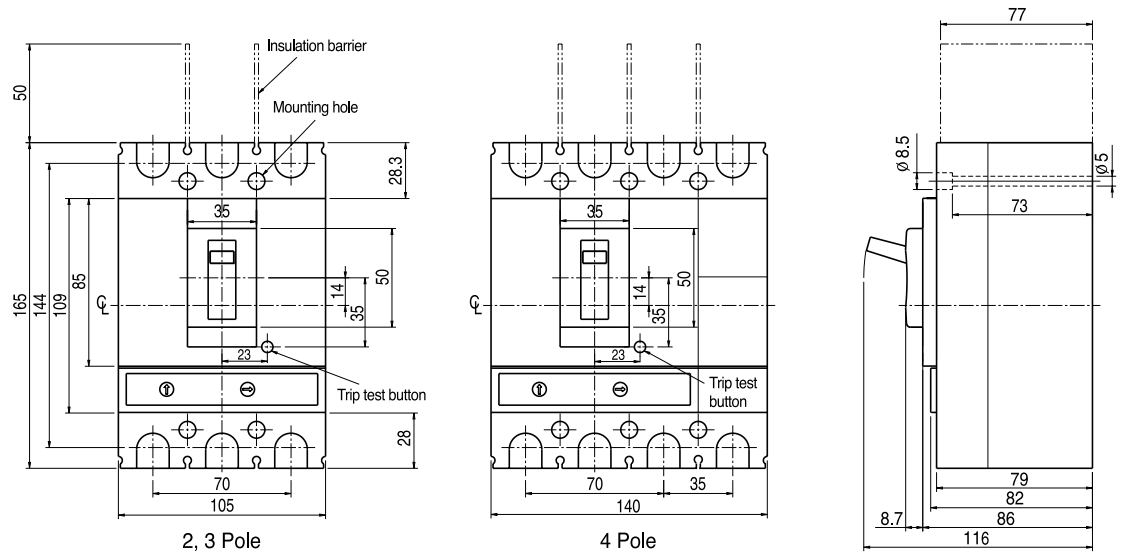
Slot



Overall dimensions

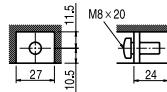
GB type adjustable MCCBs

- GBN202
- GBN203
- GBN204
- GBH202
- GBH203
- GBH204
- GBL102
- GBL103
- GBL104
- GBL202
- GBL203
- GBL204

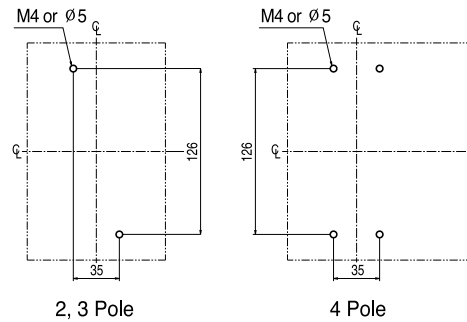


Detailed terminal

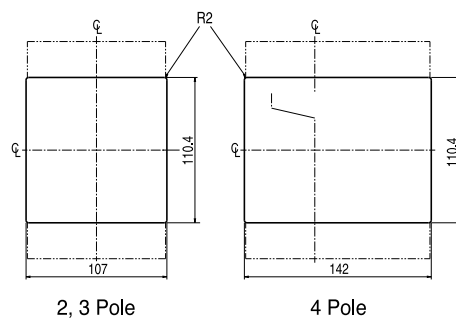
Hole size of a conductor



Mounting



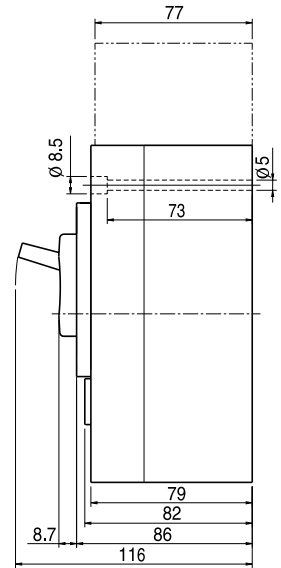
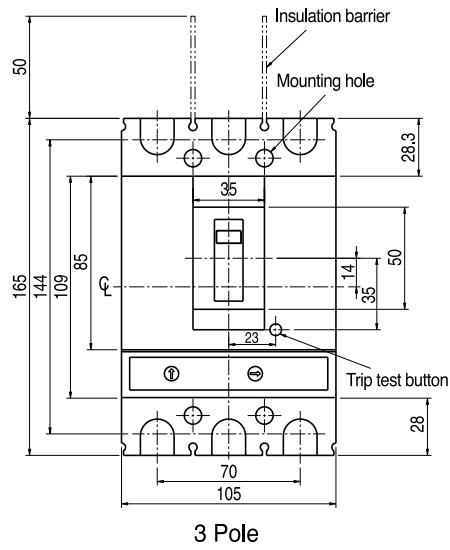
Slot



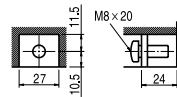
GBL53E

GBL103E

GBL203E



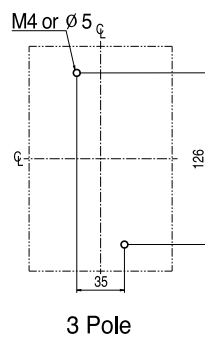
Detailed terminal



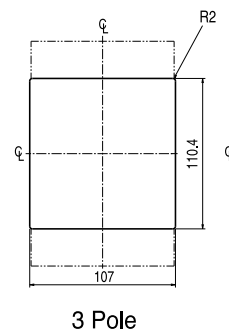
Hole size of a conductor



Mounting



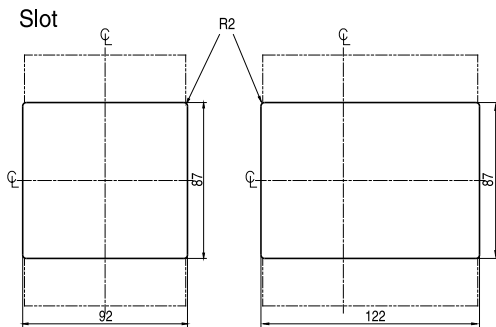
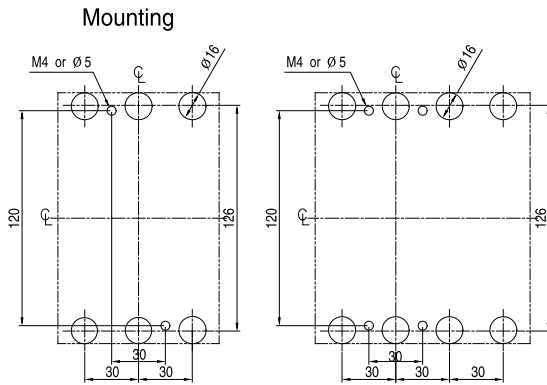
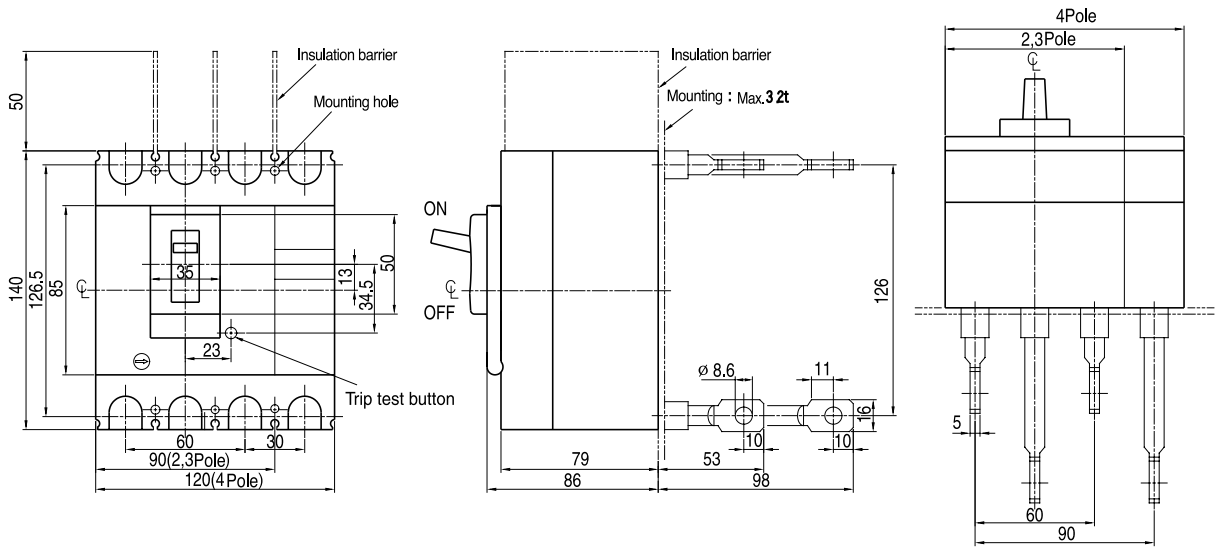
Slot



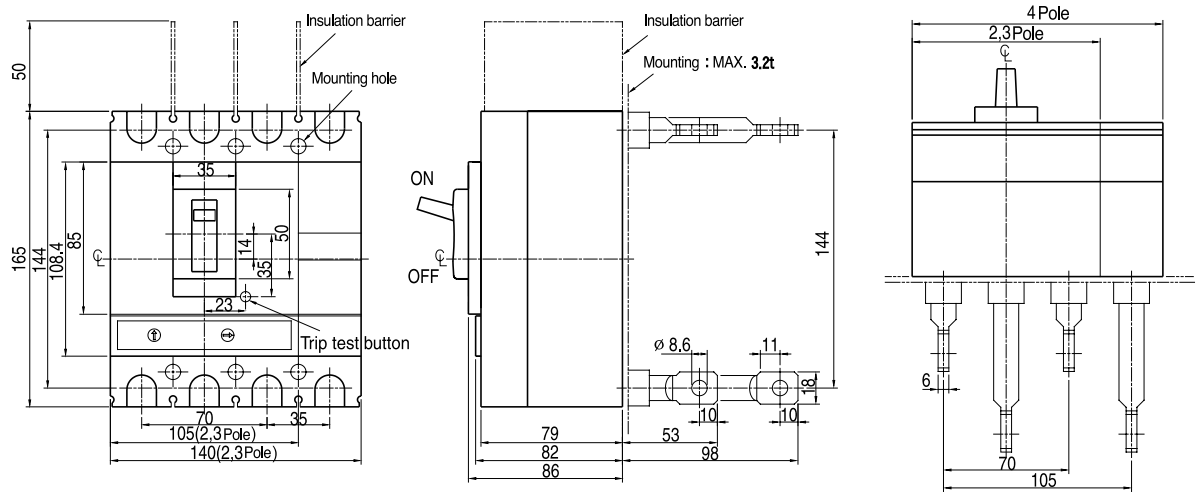
Overall dimensions

GB type adjustable MCCBs

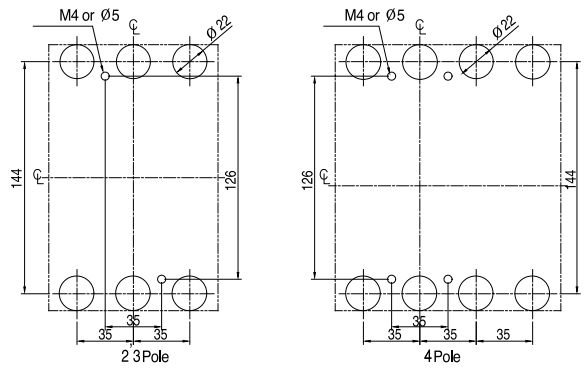
- GBH50X
- GBH100X
- GBN50X
- GBN100X



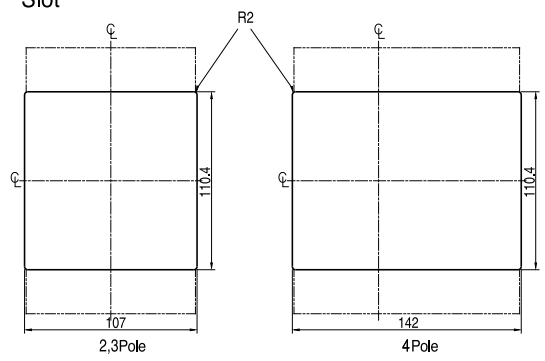
- GBH250X
- GBN250X
- GBL50X(E)
- GBL100X(E)
- GBL250X(E)



Mounting



Slot

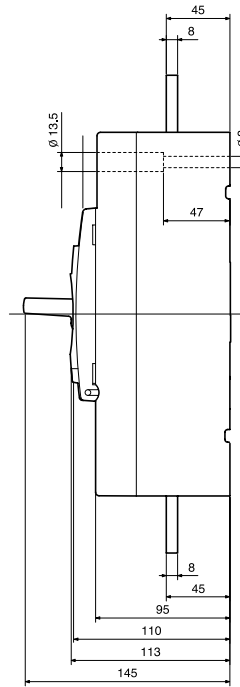
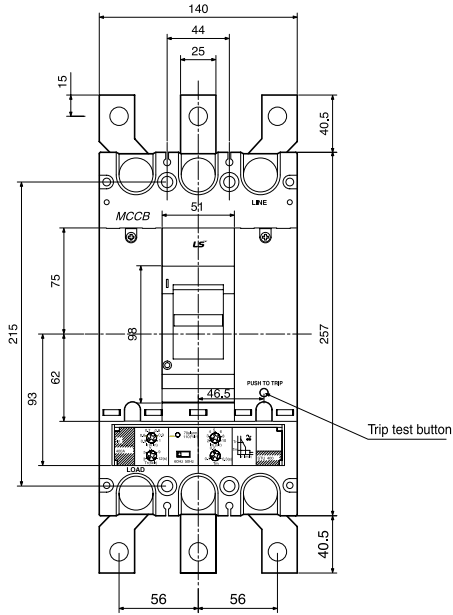


Overall dimensions

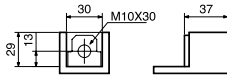
GB type adjustable MCCBs

GBN403E

GBH403E



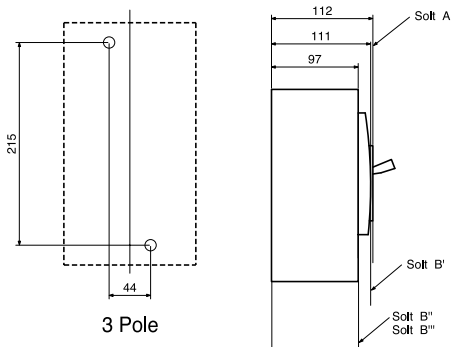
Detailed terminal



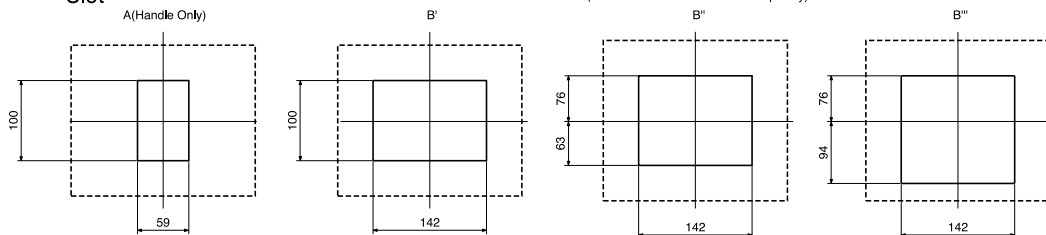
Hole size of a conductor



Mounting

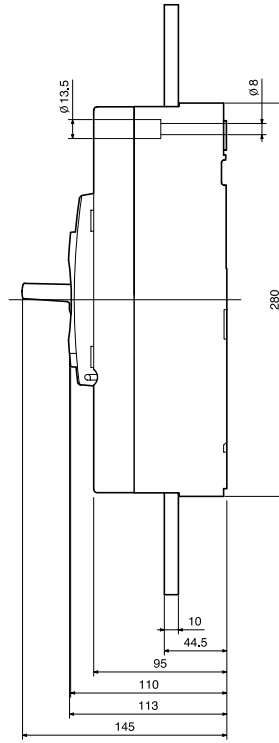
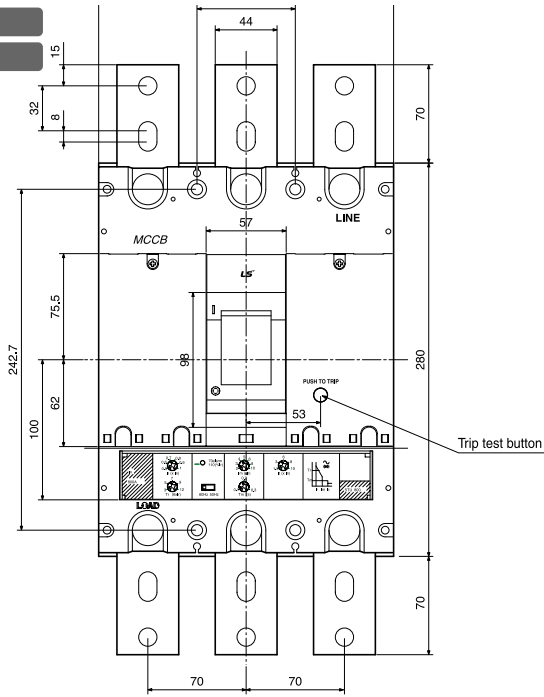


Slot

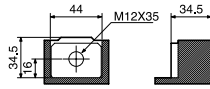


GB type adjustable MCCBs (Electronic trip unit)

GBN803E
GBH803E



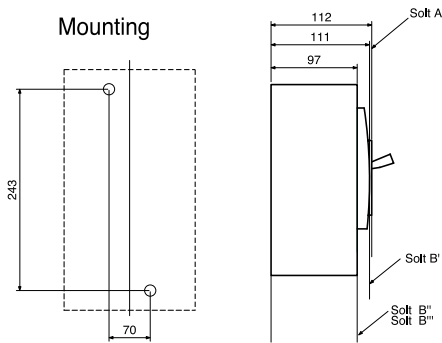
Detailed terminal



Hole size of a conductor

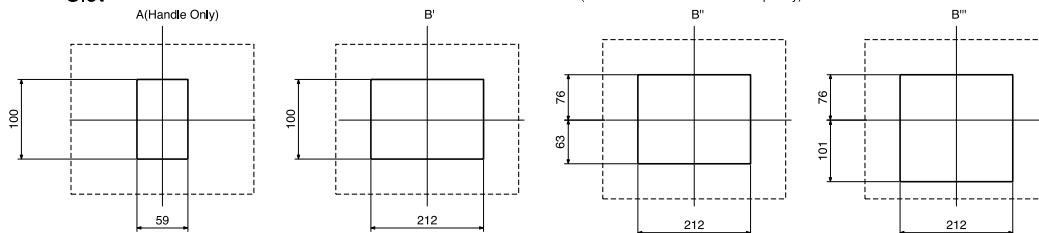


Mounting



3 Pole

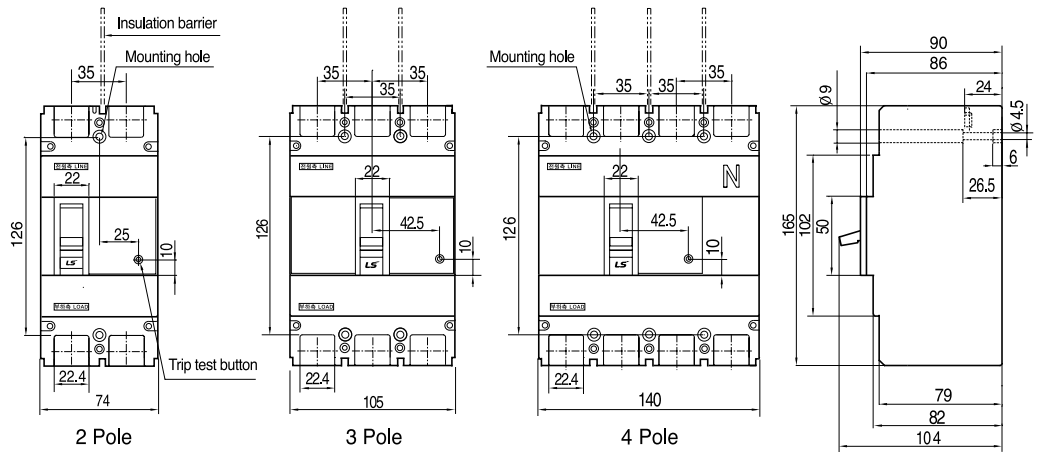
Slot



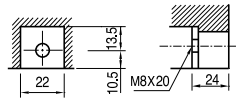
(Handle Test Button Electronic Trip Only)

Hi-MEC MCCBs

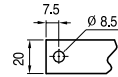
- ABL52a
- ABL53a
- ABL54a
- ABL102a
- ABL103a
- ABL104a



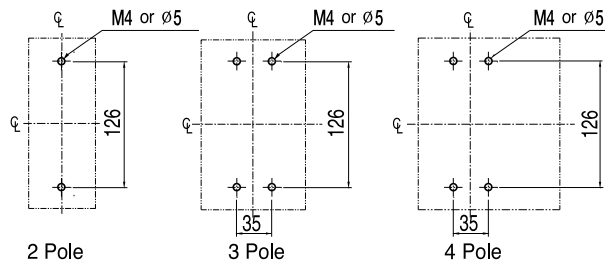
Detailed terminal



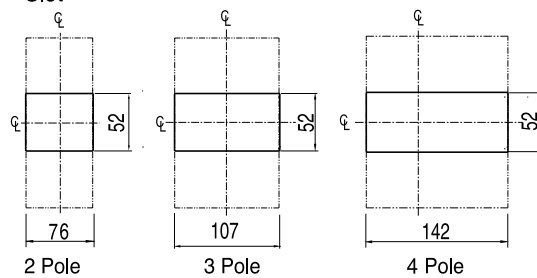
Hole size of a conductor



Mounting



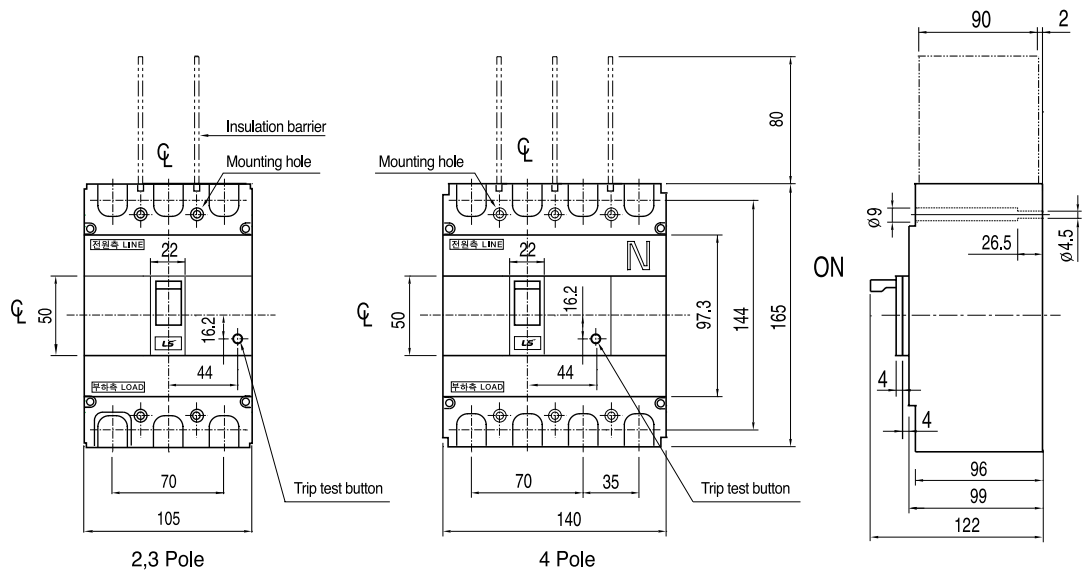
Slot



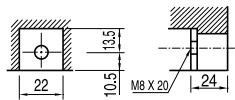
Overall dimensions

Hi-MEC MCCBs

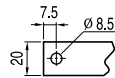
- ABL202a
- ABL203a
- ABL204a



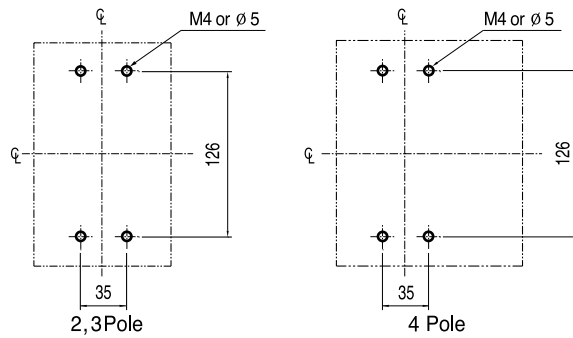
Detailed terminal



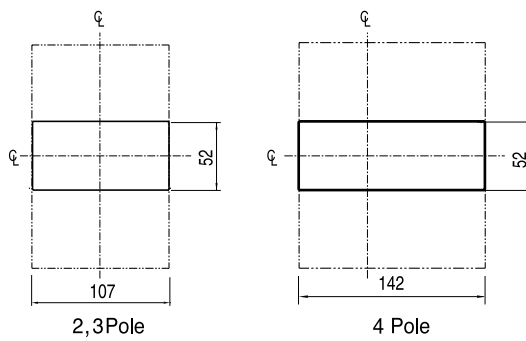
Hole size of a conductor



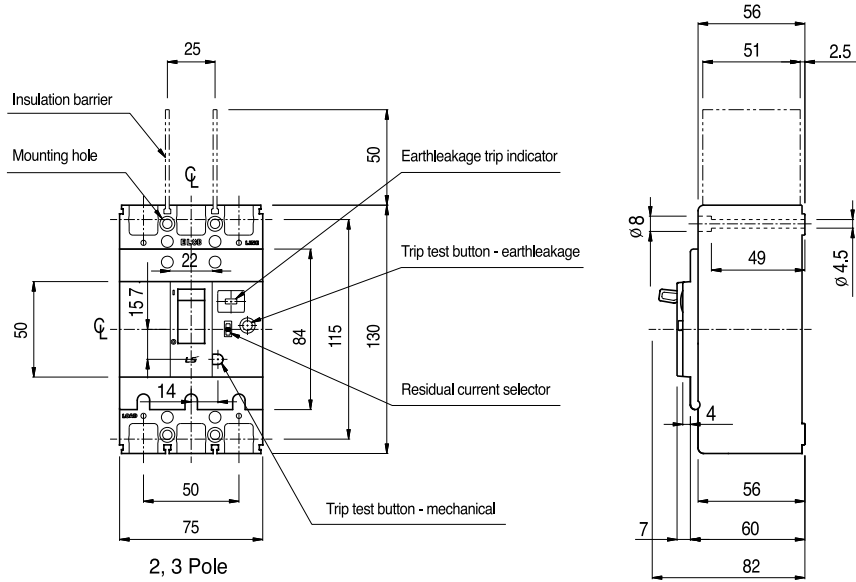
Mounting



Slot

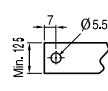
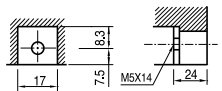


- EBE52b
- EBE53b
- EBE63b
- EBE102b
- EBE103b
- EBS33b
- EBS53b
- EBS63b
- EBH33b



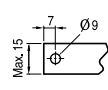
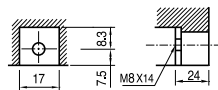
Detailed terminal (50A less)

Hole size of a conductor



Detailed terminal (from 50A)

Hole size of a conductor



Mounting

Slot

