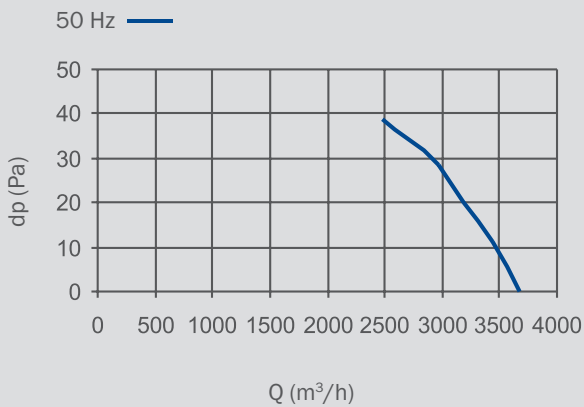




**Diameter:** 450 mm

#### Aerodynamic characteristic:



#### Performance Data:

1~230V 50Hz  
 $P_1 = 125W$   
 $n = 850\text{min}^{-1}$   
 $I = 0,54A$   
 $t_R = 50^\circ C$   
 $L_{wa} = 68\text{dB(A)}$   
 $C = 5\mu F / 450V$   
 Connection: cable  
 Ins.Cl. F  
 IP44

#### Notes:

Fan characteristic measured in short bell mouth with guard grill

R11\_-45EPA-6M-5105

#### Fan with wall plate

##### Airflow

##### Direction

»S«

»B«

##### Type:

R11P-45EPA-6M-5105

R11P-45EPP-6M-5105

Available on request

#### Fan with guard grill

##### Airflow

##### Direction

»S«

»B«

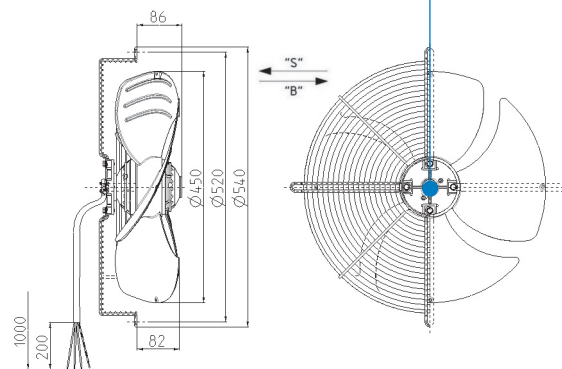
##### Type:

R11R-45EPA-6M-5105

R11R-45EPP-6M-5105

##### Code:

0311-4-0111



**Weight:**  
6,2 kg

#### Fan without guard grill

##### Airflow

##### Direction

»S«

»B«

##### Type:

R11E-45EPA-6M-5105

R11E-45EPP-6M-5105

Available on request