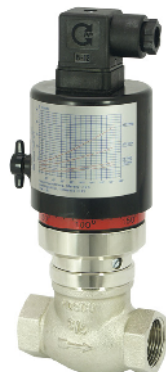


**Product Information**

**VM-008..080GR**

**Flow Switch**  
**VM-...GR**



- **Highly reproducible**
- **Precise, stepless adjustment of the switching value**
- **High switching power**
- **Insensitive to dirt**
- **Short installation length**

**Characteristics**

The volume flow raises a disc unit with magnet against a spring force. A magnetic coupling actuates a hermetically separated micro switch.

**Technical data**

<b>Switch</b>	micro switch	
<b>Nominal width</b>	DN 8..80	
<b>Process connection</b>	female thread G 1/4..G 3	
<b>Switching range</b>	1..600 l/min	for details see table "Ranges"
<b>Q<sub>max.</sub></b>	to 720 l/min	
<b>Tolerance</b>	±5 % of full scale value	
<b>Pressure resistance</b>	G 1/4..G 1/2 - PN 100 G 3/4..G 1 - PN 25 G 1 1/4..G 3 - PN 16	
<b>Medium temperature</b>	-20..+90 °C	
<b>Ambient temperature</b>	-20..+70 °C	
<b>Media</b>	water (oils and gases available on request)	
<b>Wiring</b>	changeover no. 0.213	
<b>Switching voltage</b>	max. 250 V AC	
<b>Switching current</b>	max. 6 A	
<b>Protection class</b>	2 - safety insulation	
<b>Ingress protection</b>	IP 65	
<b>Connection</b>	plug DIN 43650-A / ISO 4400	
<b>Materials medium-contact</b>	Rg 5 / Rg 6 nickelled, POM, 1.4310, CW614N, NBR, hard ferrite	
<b>Non-medium-contact materials</b>	ABS, PA	
<b>Weight</b>	see table "Dimensions and weights"	

<b>Installation location</b>	Standard: horizontal inwards flow; switching head not recommended underneath; other installation positions are possible; the installation position affects the switching point and range.
------------------------------	---

**Ranges**

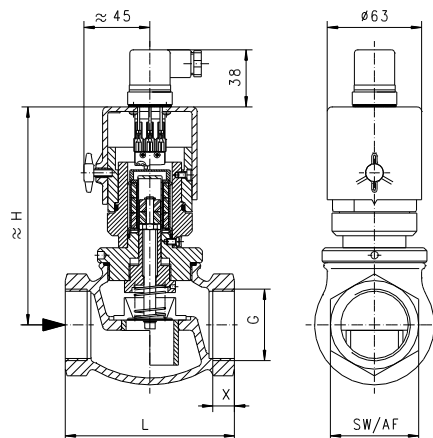
Details in the table correspond to horizontal inwards flow with decreasing flow rate.

G	Nominal width	Switching range l/min H <sub>2</sub> O	Q <sub>max.</sub> recommended	Types
G 1/4	DN 8	1 - 5	8	VM-008GR005
		3 - 12	15	VM-008GR012
G 3/8	DN 10	2 - 6	10	VM-010GR006
		3 - 12	15	VM-010GR012
G 1/2	DN 15	2 - 6	30	VM-015GR006
		4 - 20		VM-015GR020
G 3/4	DN 20	4 - 12	20	VM-020GR012
		10 - 40	50	VM-020GR040
G 1	DN 25	10 - 60	70	VM-025GR060
G 1 1/4	DN 32	20 - 100	120	VM-032GR100
G 1 1/2	DN 40	30 - 150	180	VM-040GR150
G 2	DN 50	50 - 250	300	VM-050GR250
G 2 1/2	DN 65	50 - 400	480	VM-065GR400
G 3	DN 80	100 - 600	720	VM-080GR600

Special ranges are available

**Dimensions and weights**

G	Types	H	L	SW	X	Weight kg
G 1/4	VM-008GR	144	68	29	12	1.2
G 3/8	VM-010GR					1.3
G 1/2	VM-015GR				13	1.4
G 3/4	VM-020GR					1.5
G 1	VM-025GR	73	32	11	1.7	
G 1 1/4	VM-032GR	87	41	12	2.3	
G 1 1/2	VM-040GR	155	98	52	13	3.0
G 2	VM-050GR	156	113	59	14	4.3
G 2 1/2	VM-065GR	164	137	72	17	5.8
G 3	VM-080GR	195	160	85	26	7.0
			148	100	23	



**Product Information**

VM-008..080GR

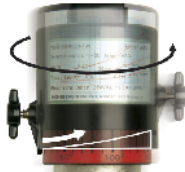
**Handling and operation**

**Note**

- Include straight calming section of 5 x DN in inlet and outlet
- Include a filter if the media are dirty (use magnetic filter for ferritic components).
- It must be ensured that the values given for voltage, current, and power are not exceeded.
- When switched on, a load must be connected in series.
- The electrical details apply to ohmic loads.  
 Capacitive and inductive loads must be operated using a protective circuit.

**Adjustment**

To adjust the switching point, the fixing screw for the switching head must be loosened. The switching head can then be rotated. Turning to the right increases the switching point, and vice-versa. Then retighten the fixing screw.



**Ordering code**

VM - 1. [ ] 2. **G** 3. **R** 4. [ ] 5. [ ]

1. Nominal width	
008	DN 8 - G $1/4$
010	DN 10 - G $3/8$
015	DN 15 - G $1/2$
020	DN 20 - G $3/4$
025	DN 25 - G 1
032	DN 32 - G $1 1/4$
040	DN 40 - G $1 1/2$
050	DN 50 - G 2
065	DN 65 - G $2 1/2$
080	DN 80 - G 3

2. Process connection	
G	female thread

3. Connection material	
R	red bronze

4. Switching range H <sub>2</sub> O for horizontal inwards flow	
005	1 - 5 l/min
006	2 - 6 l/min
012	3 - 12 l/min
	4 - 12 l/min
020	3 - 20 l/min
	4 - 20 l/min
040	10 - 40 l/min
060	10 - 60 l/min
100	20 - 100 l/min
150	30 - 150 l/min
250	50 - 250 l/min
400	50 - 400 l/min
600	100 - 600 l/min

5. Optional for ATEX	
A	for switching head ATEX A-V2 or A-V3 (The switching head is ordered in addition)

**Options**

- Special plugs, Tuchel / Harting
- Signal lamp red or red / green in the plug DIN 43650-A
- Other signal lamp
- Temperature display 0..120 °C
- Temperature monitoring 40..90 °C
- Temperature resistant up to 150 °C
- Metal cap
- Gold contact microswitch 125 V AC / 30 V DC, 100 mA
- Germanischer Lloyd
- Switching ranges for oil or gas
- Special values

**Ordering information**

- Specify direction of flow, medium, and switching range.
- For oils. State viscosity, temperature and designation (e.g. ISO VG 68) (enquire about switching range).
- For gases, state pressure (relative or absolute), temperature and medium (e.g. air) (request switching range).