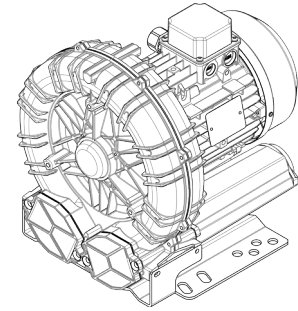


Technical Characteristics	
-	Aluminum alloy construction
-	Smooth operation
-	Maintenance free
Electric Motor	
-	IE3 Wide Range cURus Motors
-	IP 55 protection rating, class F insulation, suitable for operating with inverter (refer to FPZ)
-	Thermal Protector (PTO) as standard
Options	
-	Special voltages (IEC 60038)
-	Surface treatments
-	Increased seal version

~3	[V] (Y / Δ)	[Hz]
IE3	400 / 230	50
	460 / 265	60
Wide Range	345 - 415 / 200 - 240	50
	380 - 480 / 220 - 280	60

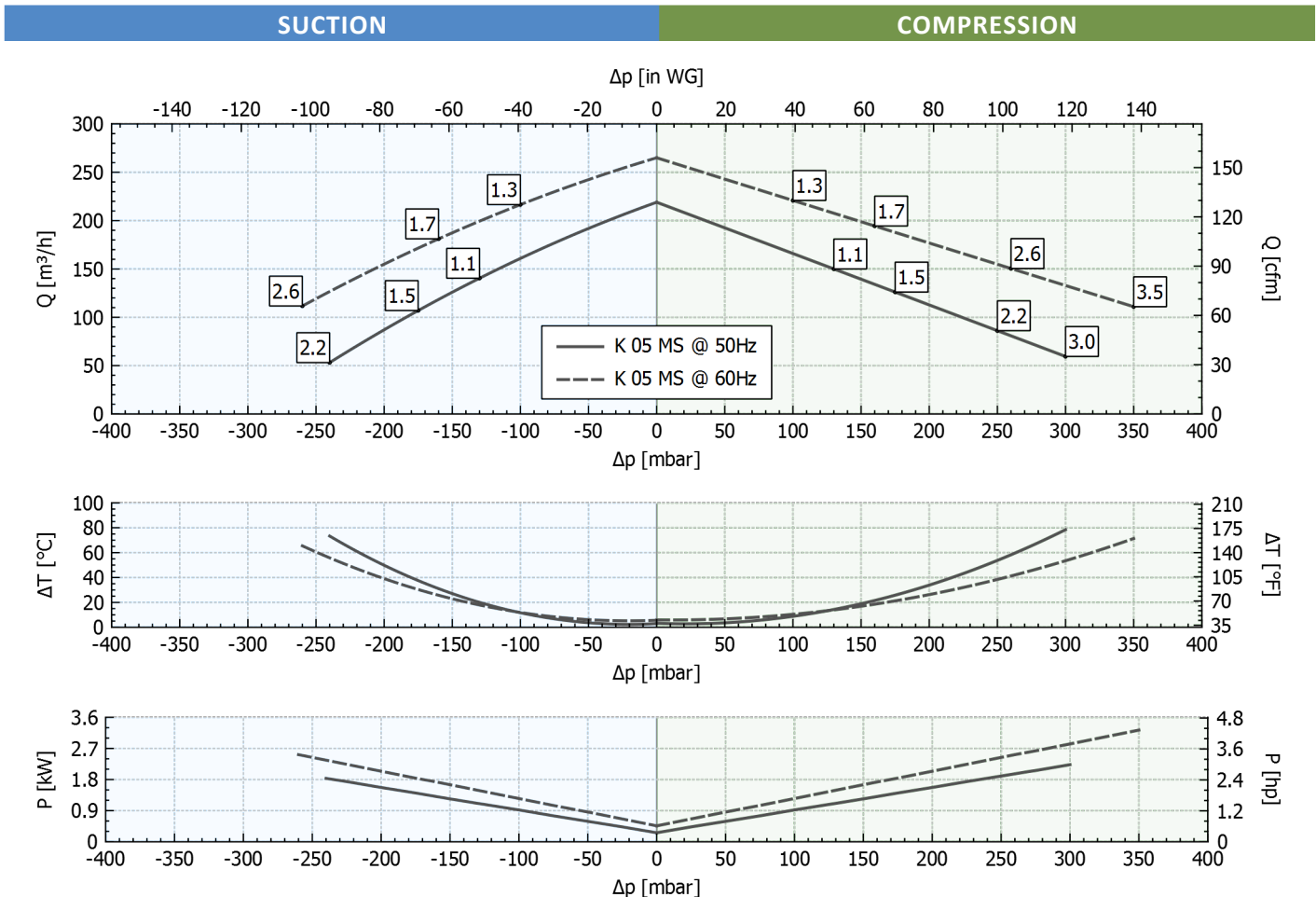
Supply voltage - [Tolerance on the fixed voltage value ± 10%, in range ± 5%.]



Performance Table

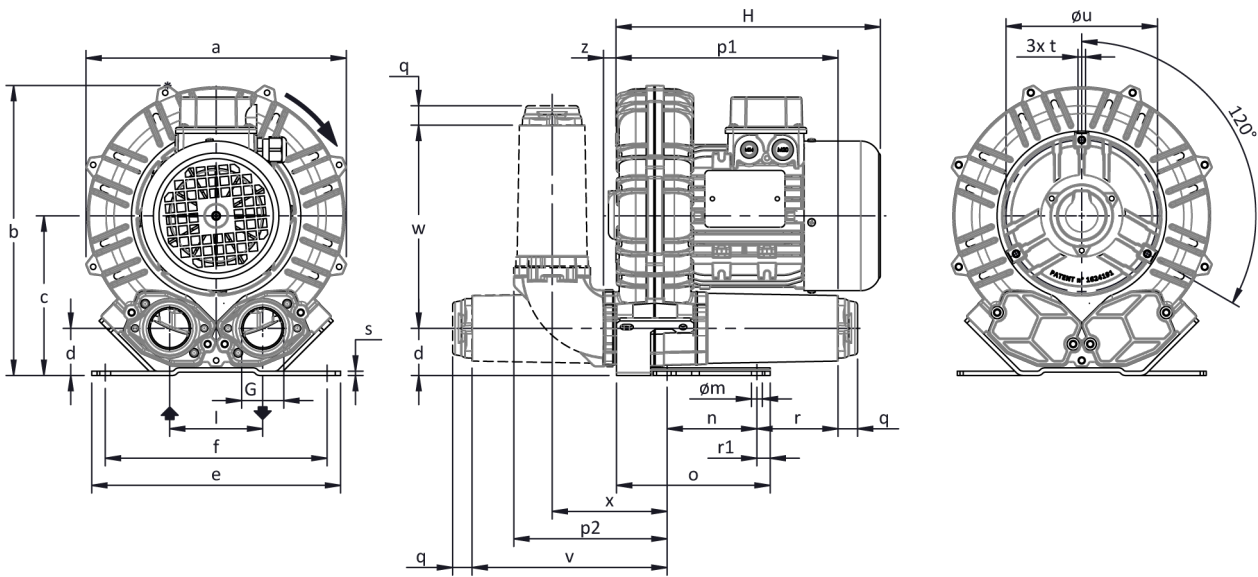
P _n [kW]	Frequency [Hz]	Δp _{max} [mbar]		Q _{max} [m³/h]	Leq ¹ [dB(A)]	Weight [kg]	H ² [mm]	Current Consumption (Y/Δ) [A]		Cosφ [-]	Speed [rpm]
		Suction	Compression					IE3	Range		
1.1	50	130	130	219	67.2	25.5	295	2.63 / 4.56	2.60-2.76 / 4.50-4.78	0.72	2930
1.3	60	100	100	265	69.2	25.5	295	2.56 / 4.43	2.73-2.60 / 4.73-4.50	0.75	3530
1.5	50	175	175	219	67.2	25.5	295	3.20 / 5.54	3.43-3.24 / 5.94-5.61	0.80	2905
1.7	60	160	160	265	69.2	25.5	295	3.07 / 5.32	3.49-3.07 / 6.04-5.32	0.81	3505
2.2	50	240	250	219	67.2	27.5	320	4.49 / 7.78	4.90-4.55 / 8.49-7.88	0.82	2900
2.6	60	260	260	265	69.2	27.5	320	4.46 / 7.72	5.23-4.47 / 9.06-7.74	0.84	3495
3	50	-	300	219	67.2	34.5	365	6.25 / 10.8	6.66-6.43 / 11.5-11.1	0.80	2930
3.5	60	-	350	265	69.2	34.5	365	6.20 / 10.7	7.05-6.19 / 12.2-10.7	0.82	3525

- Noise level measured at a distance of 1 m with ducted intake and delivery, in accordance with Standard ISO 3744.
- See figure "dimensions" at following page.



Tolerance on indicated values ± 10%.
Data subject to change without notice.
Curves referring to air at a temperature of 20 °C and atmospheric pressure of 1013 mbar (abs).

Dimensions



Configuration with a vertical silencer is only available with the CK accessory kit; for all assembly options refer to FPZ.

Dimensions in mm

NOT Binding

a	b	c	d	d1	e	f	G	l	l1	l2	m	n	o	p1	p2	q	r	r1	s	t	u	v	w	x	y	z
327	365	200	54	-	325	260	G 2"	120	-	-	15	115	265	320	230	18	98	38.5	4	M8	200	330	285	184	-	19

INSTALLATION

- For proper operation of the machine, it must be provided with a suction FILTER and a vacuum/pressure limiting VALVE.
- Other accessories are available on request.
- Permissible ambient and fluid temperature in suction from -15 °C to +40 °C.
- Read the instruction manual carefully before installing the machine.