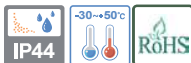


S50 series

Ø50mm Signal Lights



S50B



S50L



Common Specifications(S50B/ S50L)

- Ø50mm compact signal lights
- Enhanced visibility that employs a special scattering lens
- Suitable for office-automation applications, small machines, and portable automation equipment with confined space environments
- Powerful omni-directional light source that enables high visibility
- Materials : Lens-AS, Housing-ABS, Reflector-Heat resistant ABS(for S50L Model)
- Ambient operating temperature : -30°C to +50°C
- Protection rating : IP44

S50B Bulb Steady Signal Light

- Standard condition operates with steady light function but the flashing light condition can be enabled with external contacts
- Employs a special filament to prevent damage caused by possible voltage variations

Model number	Voltage	Current	Bulb			Certificates	Weight	Color
			Spec	Standard	Parts no			
S50B	DC12V	0.437A	12V5W	G14 9S	1	-	0.05kg	● R-Red
	DC24V	0.290A	24V5W	G14 9S	2		0.05kg	● A-Amber
	AC110V	0.051A	110V5W	T16x28 9S	3		0.05kg	● G-Green
	AC220V	0.025A	220V5W	T16x28 9S	4		0.05kg	● B-Blue

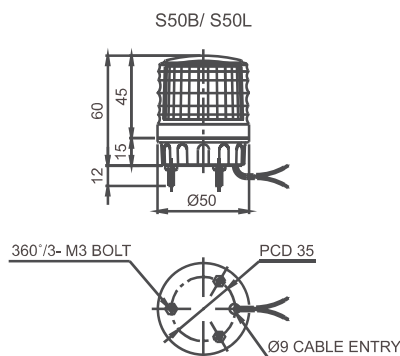
S50L LED Steady/ Flashing Signal Light

- Built-in switch for selection between steady and flashing mode
- Flashing rate : 60-80 flashes/min
- Compliant with RoHS directive

Model number	Voltage	Current	Certificates	Weight	Color
S50L	DC12V	0.047A	-	0.08kg	● R-Red
	DC24V	0.040A		0.08kg	● A-Amber
	AC110V	0.042A		0.08kg	● G-Green
	AC220V	0.042A		0.08kg	● B-Blue

Technical Diagram

(Units : mm)



Customization

- Wall mount bracket options: Bracket structure allows for threading through the bracket hole or into the wall mount



Wall Mount Bracket
TWS45



Wall Mount Bracket
TWA45

Wiring Instructions

- S50B Model : External power line standard UL1007 AWG22(0.3sq) 400mm
- S50L Model : External power line standard UL1015 AWG18(0.75sq)×2C 400mm
- Product can be wired regardless of polarity

Ordering Specification

S50B	-	220	-	R
[Model number]		[Voltage]		[Color]
<ul style="list-style-type: none"> • S50B • S50L 		<ul style="list-style-type: none"> • 12-DC12V • 24-DC24V • 110-AC110V • 220-AC220V 		<ul style="list-style-type: none"> ● R-Red ● A-Amber ● G-Green ● B-Blue