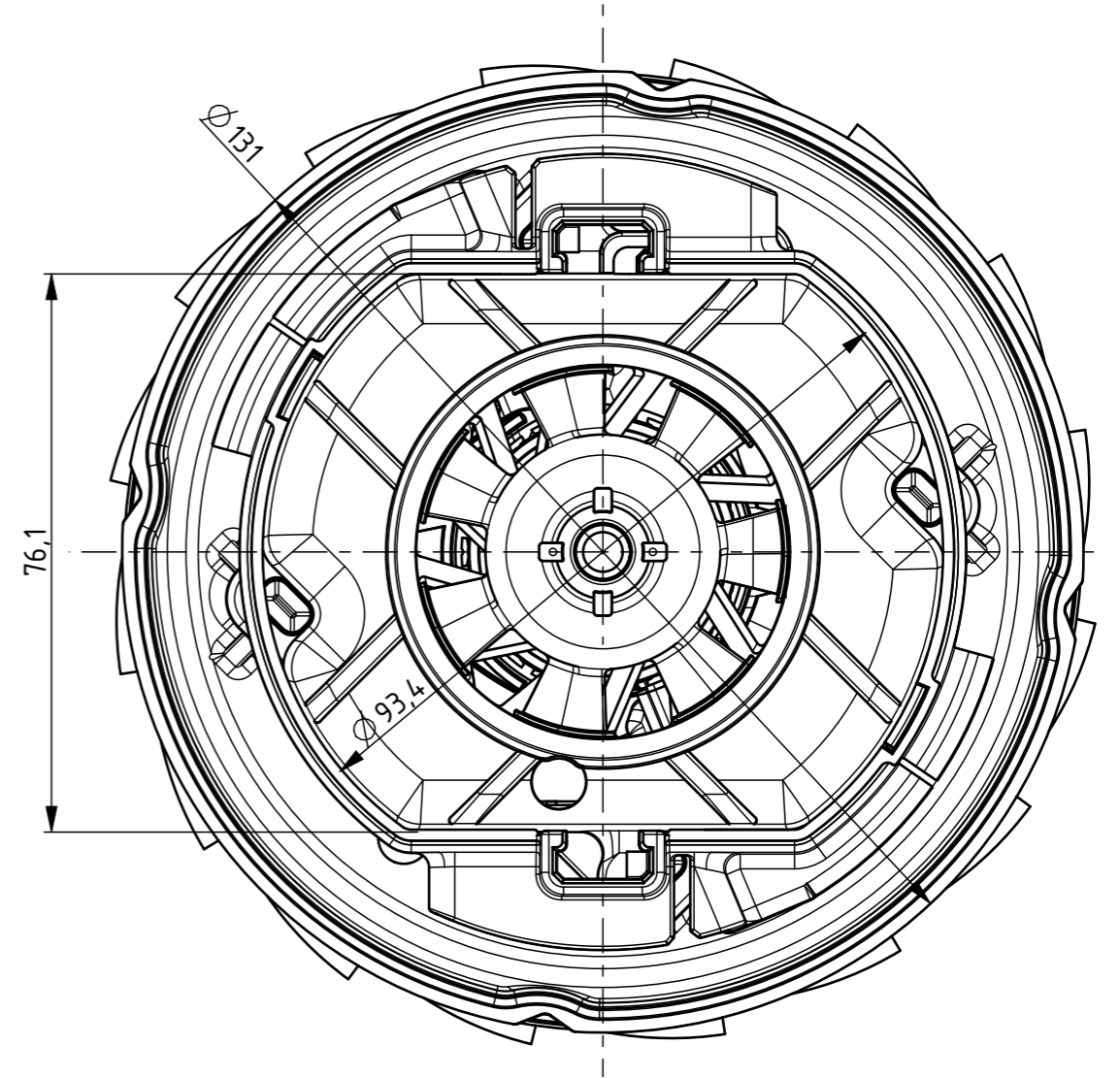
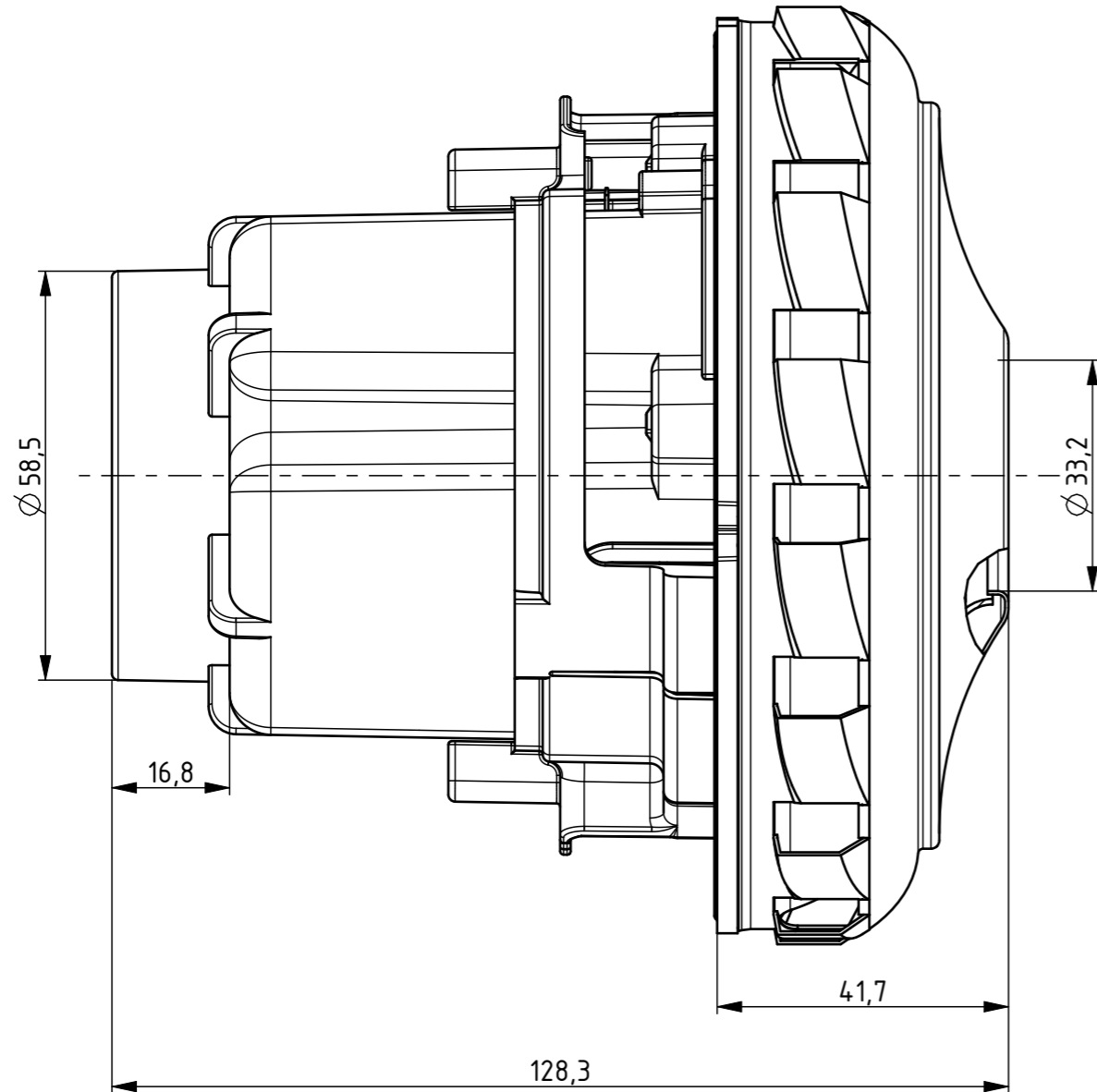


Izdelano s CAD/ProEngineer - ročno spreminjanje ni dovoljeno! Vsak prenos tretjim osebam ali uporaba v nedogovorjene namene ni dovoljena po zakonu o avtorskih pravicah. Made with CAD/ProEngineer - changing is not allowed! Any unauthorized copying of this drawing or unauthorized distribution of the information contained herein is prohibited.

NAPETOST VOLTAGE	120 V
FREKVENCA FREQUENCY	60 Hz
NAZIVNA MOČ NOMINAL POWER	1150 W
MAKSIMALNA MOČ MAXIMAL POWER	1250 W

DVOJNA IZOLACIJA
DOUBLE INSULATION

Verzija Status



Oznake natisnjene na SE:
Information stamped on VCM:

DOMEL 467.3.411-2
629338*0
120 V 60 Hz
A0
YYWWD S NNNN
MADE IN SLOVENIA



OSNOVNE ZNAČILNOSTI		TYPICAL CHARACTERISTICS	
IZVEDBA	ENOSTOPENJSKA	FAN SYSTEM	SINGLE STAGE
VLEŽAJENJE	DVA KROGLIČNA LEŽAJA	BEARINGS	DUAL BALL
VRSTA PRETOKA	MIMO MOTORJA	DISCHARGE	BY PASS
SMER VRTENJA	DESNA	DIRECTION OF ROTATION	CW

Tolerance odprtih mer Tolerances without individual indications ISO 8015 ISO 2768 - mK		Površinska hrapavost Surface finishing		Merilo Scale 1:2		Original format ISO 5457 - A3	
Datum/Date		Ime/Name		Gradivo / Material			
Izdelal Designed		27.08.14		D. Vrhunc		Naziv Title	
Pregl. Verified		18.05.17		Rihtaršič J.		SESALNA ENOTA VACUUM CLEANER MOTOR	
Ozn. Mark	Št. obvestila Nr. of notice	Datum Date	Ime Name		Koda Code		List Sheet
C1	12998	18.05.17	D. Vrhunc		467.3.411-2		3+
B1	12145	26.11.15	D. Vrhunc				
A0	11452	27.08.14	D. Vrhunc				Stran Page
DOMEL® Otoki 21, 4228 Železniki, Slovenija					46734.11002_SESALNA_ENOTA		