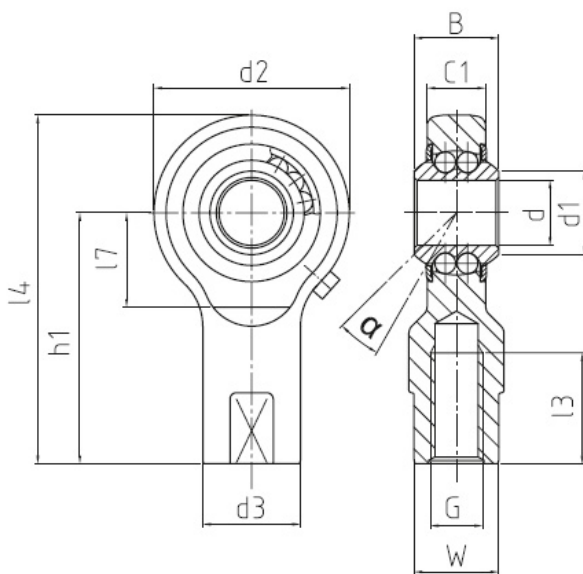


PF 10 - 00 - 501

Dimensional drawing



right hand thread	PF 10 - 00 - 501
d (mm)	10
G	M 8
d2 (mm)	30
l4 (mm)	53
B (mm)	13
C1 (mm)	9
d1 (mm)	13
d3 (mm)	15
h1 (mm)	38
l7 (mm)	15
W (mm)	13
tilt angle alpha (°)	7
axial factor Y	1.9
axial factor Y0	1.81
basic load rating dyn C (kN)	2.6
basic load rating stat Co (kN)	1
radial clearance CN (µm)	10 - 30
rotational speed limit n max. (min-1)	1225
weight (kg)	0.063

Product description

DURBAL heavy-duty rod ends with integral self-aligning ball bearing, female thread
Right hand thread: PF_-00-501 and left hand thread: PF_-00-502

- **Housing:** forged steel, case hardened bearing race, superfinished, surface galvanized, free of Cr VI
 - **Inner ring:** ball bearing steel, hardened, superfinished
 - **Rolling element:** ball bearing steel, hardened, superfinished

 - **Maintenance:** low maintenance, lubrication possible, aluminium-complex-soap-grease, approval according to USDA H1
 - **Grease nipple:** DIN 3405 D1/A, further grease nipples [see on this page](#)
 - **Tolerances:** [see on this page](#)
 - **Highlights:** [see on this page](#)
 - **Temperature range:** -45° C to +120° C
-

Special characteristics:

- For **high speeds**, wide swivelling angles or **rotating movements**,
- **Low bearing friction**,
- All **rod end housings** are made of **forged steel, tempered, extremely high loads resistant** and protected against corrosion by galvanisation.
- **Low maintenance** due to **long-term lubrication** with food-grade approval; the **rod ends** can be greased subsequently by means of a **funnel-type lubrication nipple**. Further special grease nipples available on request;
- **Covering discs** on both sides to prevent the penetration of coarse dirt particles inside the bearing.

Available as a complete **linkages** (system) solution or separately with hexagonal locking nuts. For shaft diameters from 10 mm to 20 mm.