

MODEL CODES SRP981

Pneumatic Positioner	SRP981											011004
Version												
Single Acting		-B										
Double Acting		-C										
Input												
Signal Range 0.2 to 1 bar/3 to 15 psi/ 20 - 100 kPa;												
Split-Range Up To 4-Fold Possible, Must Be Specified		-I										
Mode of Action												
Increasing Input Increases Output						D						
Increasing Input Decreases Output						R						
Gauges												
Without Gauges										L		
Two Built-In Gauges (bar/psi) (a)										M		
Two Built-In Gauges (kPa/psi) (a)										N		
Built-In Limit Switch/Position Transmitter												
Without										S		
Inductive Limit Switch Three-Wire Technique, Without Explosion Protection . (b)										R		
Inductive Limit Switch (Standard Version) w. Expl. Prot. II 2 G EEx ia IIC T6 acc. to ATEX (b)										T		
Inductive Limit Switch (Security Version) w. Expl. Prot. II 2 G EEx ia IIC T6 acc. to ATEX (b)										U		
Two Micro Switches, Without Explosion Protection. . . (b)										V		
Position Transmitter 4-20 mA, with Expl. Prot. II 2 G EEx ia IIC T6 acc. to ATEX . . (b)										W		
Cable Entry												
Without Cable Gland												1
M20 x 1.5 With One Plastic Cable Gland, Color Gray . (c)												7
Attachment Kit												
Order as Auxiliary												N
Manifold												
Order as Auxiliary												A
Options												
Amplifier Free Of Nonferrous Metals (a)												-C
Manual Bypass Switch (a)												-T
Protection Class IP65 (b)												-F
Assembled Free Of Oil And Grease / Designed for Aux. Energy Oxygen												-S
Tag No. Labeling												
Stamped With Weather Resistant Color												-G
Stainless Steel Label Fixed With Wire												-L

Example Model Code: SRP981 -B I D L S 1 N A -L

(a) Only available with Version -B
 (b) Not available with Gauge Code M or N
 (c) Not available with Built-In Limit Switch / Position Transmitter Code S

Auxiliaries see EVE9902
 Fittings see EOO9001L

MODEL CODES Accessories

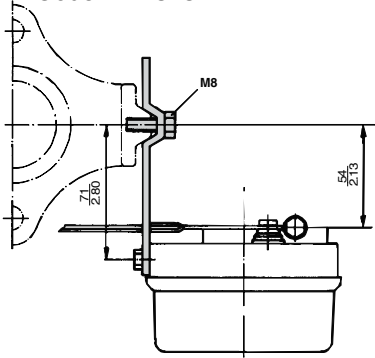
Couple lever / cam		EBZG
Standard (a = 72 mm) (for SRP981, SRI983, SRI986, SMP981, SMI983, SGE985)		-AN
Extended (a = 91 mm) (for SRP981, SRI983, SRI986, SMP981, SMI983, SGE985)		-BN
Inverse equal percentage cam for rotary actuators (for SRP981, SRI983, SRI986)		-CN
Spring set		FESG
Range-Springs (4 pc.) (for SRP981, SRI983, SRI986)		-FN
(continued on next page)		

MODEL CODES Accessories (continued)

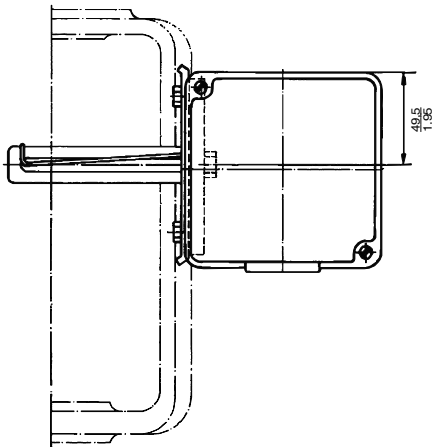
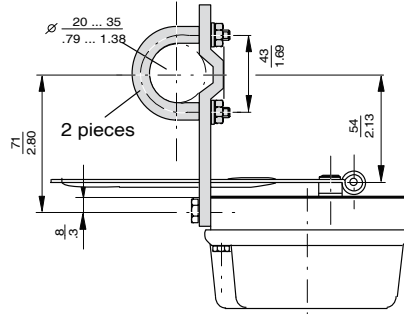
Attachment kit	EBZG
For diaphragm actuators with casting yoke acc. NAMUR. (incl. standard Couple Lever) (for SRP981 , SRI983, SMP981, SMI983, SGE985)	-GN
For diaphragm actuators with pillar yoke acc. NAMUR. (incl. standard Couple lever) (for SRP981 , SRI983, SMP981, SMI983, SGE985)	-FN
For rotary actuators, without flange, 3 drill holes 6.5 mm (for SRP981 , SRI983, SRI986, SMP981, SMI983, SGE985)	-PN
For rotary actuators, without flange, 4 threads M6 (e.g for Petras actuators) (for SRP981 , SRI983, SRI986, SMP981, SMI983, SGE985).	-NN
For rotary actuators, with flange (for SRP981 , SRI983, SRI986, SMP981, SMI983, SGE985)	-JN
For rotary actuators acc. to VDI/VDE 3845, with shaft (for SRP981 , SRI983, SRI986, SMP981, SMI983, SGE985).	-ZN
For Masoneilan type Camflex II (for SRP981 , SRI983, SRI986, SMP981, SMI983, SGE985).	-RN
For Masoneilan type Sigma F (for SRI986, SRP981 , SRI983)	-SN
For Masoneilan type 37/38, Fisher Elliott type 656, 667 (for SRP981 , SRI983, SGE985, SMI983, SMP981)	-TN
For Guide type P (for SRP981 , SRI983)	-UN
For Masoneilan type 87/88 (for SRP981 , SRI983, SMP981, SMI983, SGE985)	-EN
For Masoneilan VariPak (for SRP981 , SRI983, SGE985, SMI983, SMP981).	-MN
For IAL actuators (for SRP981 , SRI983, SGE985, SMI983, SMP981)	-VN
Brackets VDI/VDE 3845 (A = 130 mm/5.12 in; B = 50 mm/1.97 in) (SRP981 , SRI983, SRI986, SGE985, SMI983, SMP981)	-C3
Brackets VDI/VDE 3845 (A = 80 mm/3.15 in; B = 30 mm/1.18 in) (SRP981 , SRI983, SRI986, SGE985, SMI983, SMP981).	-C2
Brackets VDI/VDE 3845 (A = 80 mm/3.15 in; B = 20 mm/0.79 in) (SRP981 , SRI983, SRI986, SGE985, SMI983, SMP981).	-C1
Manifold (Connection 1/4-18NPT)	LEXG
Staggered connections (for SRP981, SRI986)	-BN
Connections same level (for SRP981, SRI986)	-CN
Staggered connections for 1/4"-thread pneum. tube-conn. (e.g. tube-diameter: 8 mm / 0.3 in) (for SRP981, SRI986)	-DN
With gauges for supply air, y, for version single acting (for SRP981, SRI986)	-JN
With gauges for supply air, w, for version single acting (for SRP981)	-KN
With gauges for supply air, w, y, for version single acting (for SRP981)	-LN
With gauges for supply air, y1, y2, for version double acting (for SRP981, SRI986)	-MN
With gauges for w, y1, y2, for version double acting (for SRP981)	-NN
Gauge manifold without gauge (for SRP981, SRI986)	-RN
Gauge manifold without gauge, for supply air, y1, y2, for version double acting (for SRP981, SRI986)	-SN
Gauge manifold without gauge, for w, y1, y2, for version double acting (for SRP981) (b)	-TN
Booster (Connection 1/4-18NPT)	VKXG
For version single acting (for SRP981, SRI986)	-FN
For version double acting (for SRP981, SRI986).	-GN
For version single acting with doubled output capacity (for SRP981, SRI986)	-HN
Adapter	AD
Adapter 1/2" NPT to 3/4" NPT (stainless steel)	-A3
Adapter M20 x 1.5 to G1/2" (internal thread) (stainless steel)	-A8
Adapter M20 x 1.5 to 1/2" - 14 NPT (internal thread) (brass with nickel coating)	-A5
Adapter M20 x 1.5 to 1/2" - 14 NPT (internal thread) (stainless steel)	-A6
Adapter (plastic) M20 x 1.5 to PG13.5 (internal thread)	-A9
Cable gland	BUSG
M20 x 1.5 plastics, color blue	-K7
M20 x 1.5 plastics, color white	-K9
M20 x 1.5 stainless steel.	-S6
M20 x 1.5 plastics, color gray	-K6
M20 x 1.5 stainless steel EEx d	-S7
M20 x 1.5 brass zink plated EEx d	-S8
1/2-14 NPT cable gland 6...12 mm, Stainless steel, EEx d	-N1
1/2-14 NPT cable gland 6...12 mm, Steel zink plated, EEx d	-N2
1/2-14 NPT, brass zink plated, EEx d	-N3
M20 x 1.5 plug, plastic	-V3
M20 x 1.5 plug, Stainless steel, EEx d	-V4
1/2-14 NPT plug, Stainless Steel, EEx d	-V5
M20 x 1.5 plug, brass zink plated, EEx d	-V6
1/2-14 NPT plug, brass zink plated, EEx d	-V7

ATTACHMENT KIT FOR DIAPHRAGM ACTUATORS

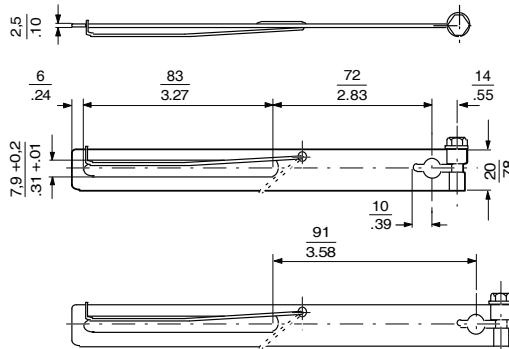
Attachment to casting yoke
according to IEC 534-6 (NAMUR)
Code EBZG-GN



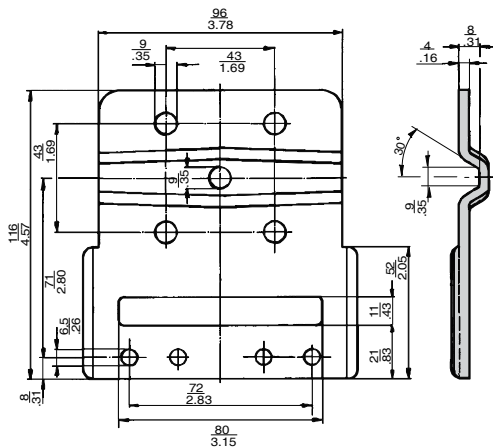
Attachment to pillar yoke
according to IEC 534-6 (NAMUR)
Code EBZG-FN



Feedback lever
Code EBZG-AN, -FN, -GN
Code EBZG-BN (extended version)



Mounting bracket
according to IEC 534-6 (NAMUR)
for Code EBZG-GN, FN



mm
in

Carrier bolt
for attachment to valve stem

