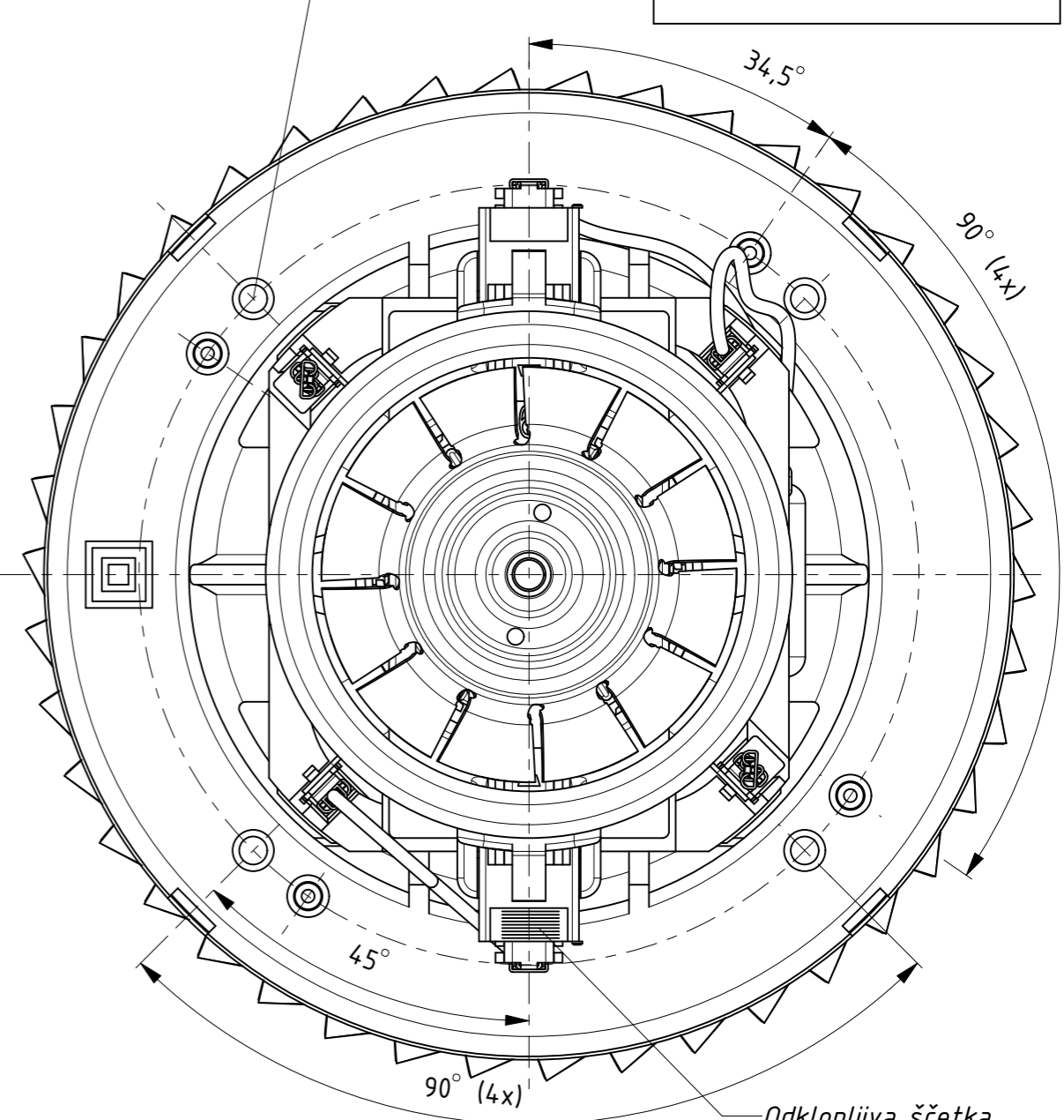
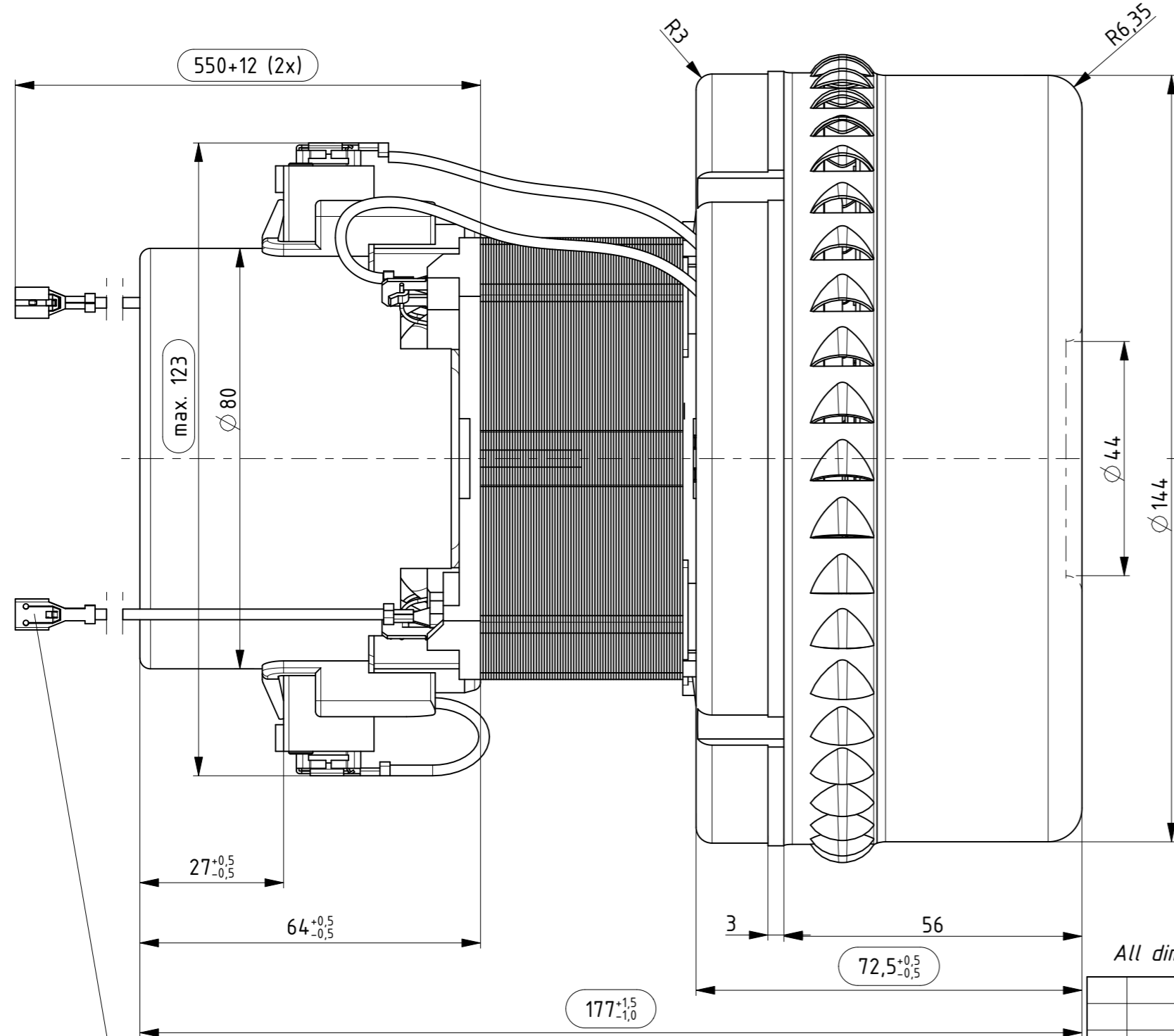


Izdelano s CAD/ProEngineer - ročno spreminjanje ni dovoljeno! Vsak prenos tretjim osebam ali uporaba v nedogovorjene namene ni dovoljena po zakonu o avtorskih pravicah. Made with CAD/ProEngineer - changing is not allowed! Any unauthorized copying of this drawing or unauthorized distribution of the information contained herein is prohibited.

1		2		3		4		5		6		7		8		9	
NAPETOST		220-240 V		DVOJNA IZOLACIJA		DOUBLE INSULATED										Oznake natisnjene na SE	
VOLTAGE																Information stamped on VCM	
FREKVENCA		50/60 Hz		Temperaturno stikalo SILVANIA SB 619 C3H		Thermal switch											
FREQUENCY																	
NAZIVNA MOČ		1200 W		pri 230V		by 230V											
NOMINAL POWER																	

DOMEL 220-240 V
MKM 7778-8 50/60 Hz
XXXX I.C.L.B



(4.2+0.1) x 12
na premeru 117
on a 117 dia

Odklopljiva ščetka
Switch off brush

All dimensions in mm

Ploščati natič 6.3x0.8 DIN 46247
Receptacle

○, * - pomembna mera
important dimension

OSNOVNE ZNAČILNOSTI		TYPICAL CHARACTERISTICS	
IZVEDBA	DVOSTOPENJSKA	FAN SYSTEM	TWO STAGE
VLEŽAJENJE	DVA KROGLIČNA LEŽAJA	BEARINGS	DUAL BALL
VRSTA PRETOKA	MIMO MOTORJA	DISCHARGE	BY PASS
SMER VRTENJA	LEVA	DIRECTION OF ROTATION	CCW

Tolerance odprtih mer Tolerances without individual indications		Površinska hrapavost Surface finishing		Merilo Scale		Original format ISO 5457 - A3	
ISO 8015 ISO 2768 - mK				1:1			
Datum/Date		Ime/Name		Gradivo / Material			
Vzdelal Designed		22.10.2004 J. Luznar		Naziv Title			
Pregl. Verified		24.6.2005 J. Kavčič		SESALNA ENOTA VACUUM CLEANER MOTOR MKM 7778-8			
Ozn. Mark		Št. obvestila Nr. of notice		Datum Date		Ime Name	
B1 7395 24.06.05 J. Luznar		A0 7116 27.10.04 J. Luznar		Koda Code		List Sheet	
				DOMEL® Otoki 21, 4228 Železniki, Slovenija		3+	
				492.3.778-8		Stran Page	
				4923778008_SESALNA_ENOTA		1	