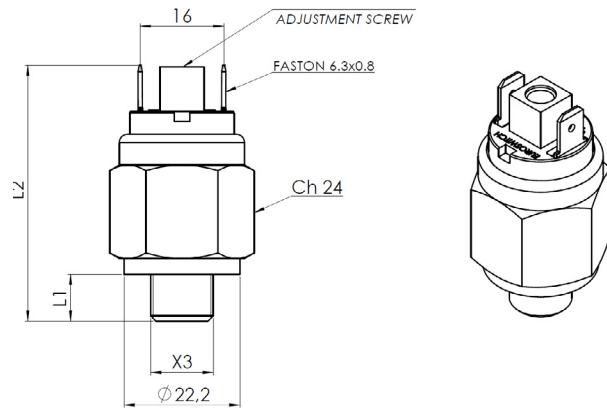


# [ES-41] Diaphragm Pressure Switch ≤ 48V



Part Number			
Electrical contact			
Norm Open	Norm Closed	Setting Range (Bar)	Tolerance at 20°C (Bar)
41 1 ▲ ● ■ 0	41 2 ▲ ● ■ 0	0.1 - 1	± 0.1
41 1 ▲ ● ■ A	41 2 ▲ ● ■ A	0.2 - 2	± 0.15
41 1 ▲ ● ■ 1	41 2 ▲ ● ■ 1	1 - 5	± 0.3
41 1 ▲ ● ■ 2	41 2 ▲ ● ■ 2	1 - 10	± 0.5
41 1 ▲ ● ■ 3	41 2 ▲ ● ■ 3	10 - 20	± 1.0
41 1 ▲ ● ■ 4	41 2 ▲ ● ■ 4	20 - 50	± 2.0

## ▲ Material Case

- 0 Zinc plated steel case
- 1 Brass
- 2 Stainless steel AISI 316\*
- 5 Stainless steel AISI 303\*

\*Standard G1/4" Cylindrical

## ● Threads (X3)

- |                     |     |      |
|---------------------|-----|------|
| 1 1/8" Gas taper    | 10  | 51   |
| 2 1/4" Gas taper    | 12  | 53   |
| 3 M10x1K taper      | 10  | 51   |
| 4 M12x1,5 parallel  | 9   | 50   |
| 5 1/8" NPT          | 10  | 51   |
| 6 1/4" Gas parallel | 9,7 | 50,7 |
| 8 M10x1 parallel    | 9,5 | 50,5 |
| G 1/8" Gas parallel | 10  | 51   |

L1 L2

## ■ Diaphragms

- 1 NBR -15 to 100°C
- 2 FKM (Standard) -10 to 120°C
- 3 EPDM CH -25 to 120°C
- 4 CR -20 to 80°C
- 5 Silicone -40 to 120°C
- 6 HNBR -30 to 120°C

## Operating Temperatures



**ATEX version available on request**

Case	Zinc plated steel or brass (on request S/Steel)
Electric contacts	Silver AgNi, on request gold plated
Electrical conditions	N.O. (red) N.C. (blue)
Max switches voltage	48 Vac
Max switches current	0,5 A
Max fluid temperature	80° to 120°C (depending on diaphragm)
Mechanical working life	10 <sup>6</sup> operations
Electrical working life	10 <sup>5</sup> operations
Max Overpressure limit	Zinc plated steel / inox 300 bar Brass 80 bar
Max working pressure	Zinc plated steel / inox 150 bar Brass 40 bar
Action type	1B
Pollution situation	Normal
Protection degree	IP 00
with cover 3015001	IP 54
with cap 3900001	IP 65
with connector 3900200	IP 65
In accordance with	EN 60730-I
Weight	~65 gr

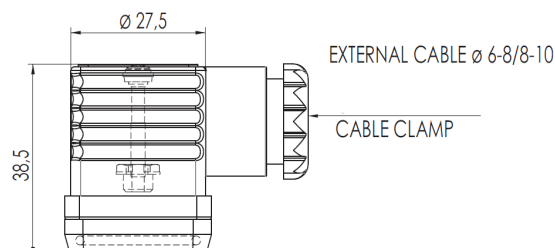
# Protection caps and connectors



## Rubber Protective Cap

**IP54 IP65**  
Cod. 3015001

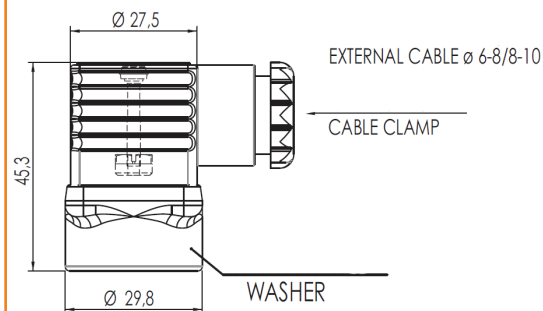
**Suitable for models:** 21 - 30 - 31 - 32 - 35  
37 - 40 - 41 - 41V - 41BC - 42 - 506



## Plastic Protective Cap

**IP65**  
Cod. 3900001

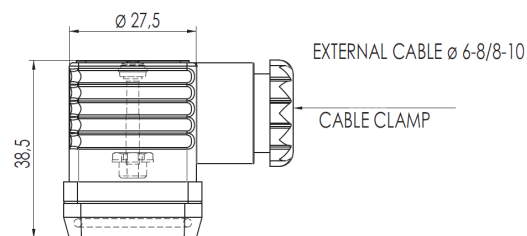
**Suitable for models:** 21 - 30 - 31 - 32 - 35  
37 - 40 - 41 - 41V - 41BC - 42 - 506



## Protective connector

**IP65**  
Cod. 3900003

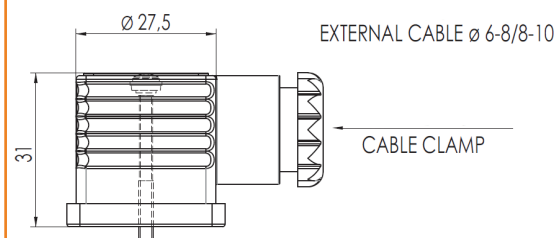
**Suitable for models:** 27 - 28



## Protective connector

**IP65**  
Cod. 3900200

**Suitable for models:** 30 - 31 - 32 - 35 - 37  
40 - 41 - 41BC - 42 - 506



## Protective connector with indicator light (Red/Green)

**IP65**  
Cod. CNN084C002

**Suitable for models:** 24 - 24C - 24F - 38  
46 - 48 - 81 - 691 - 692 - 507