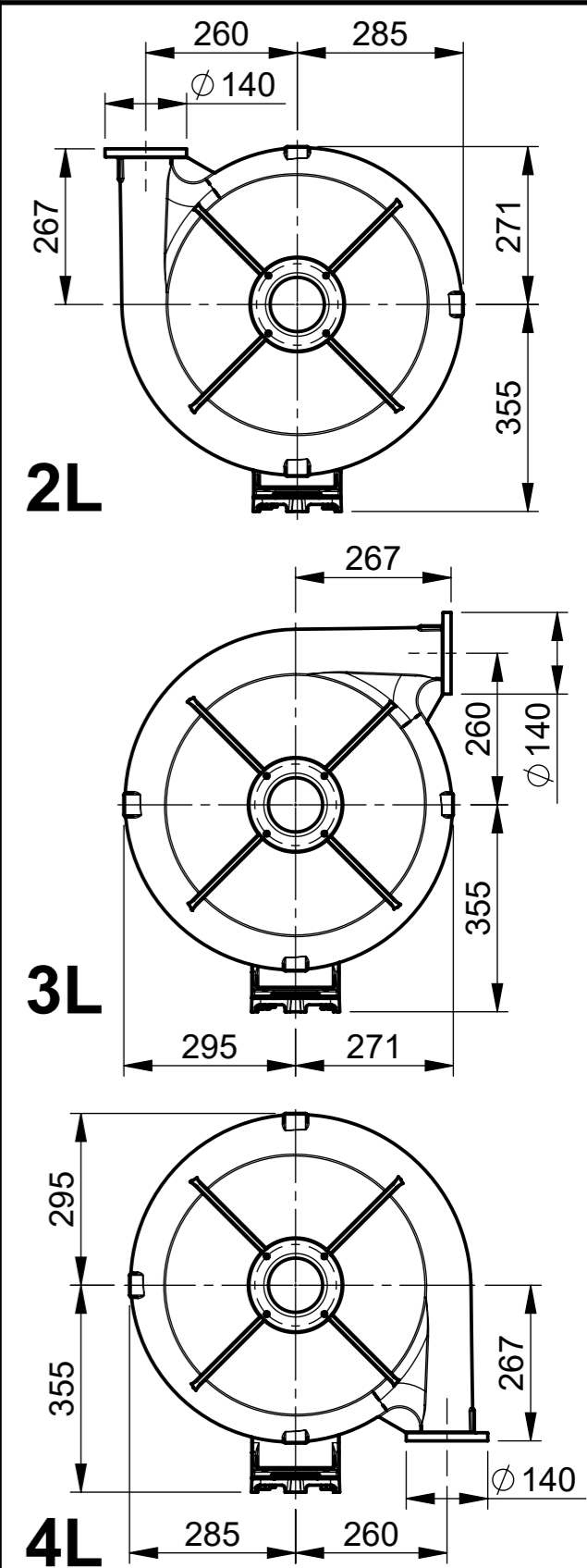
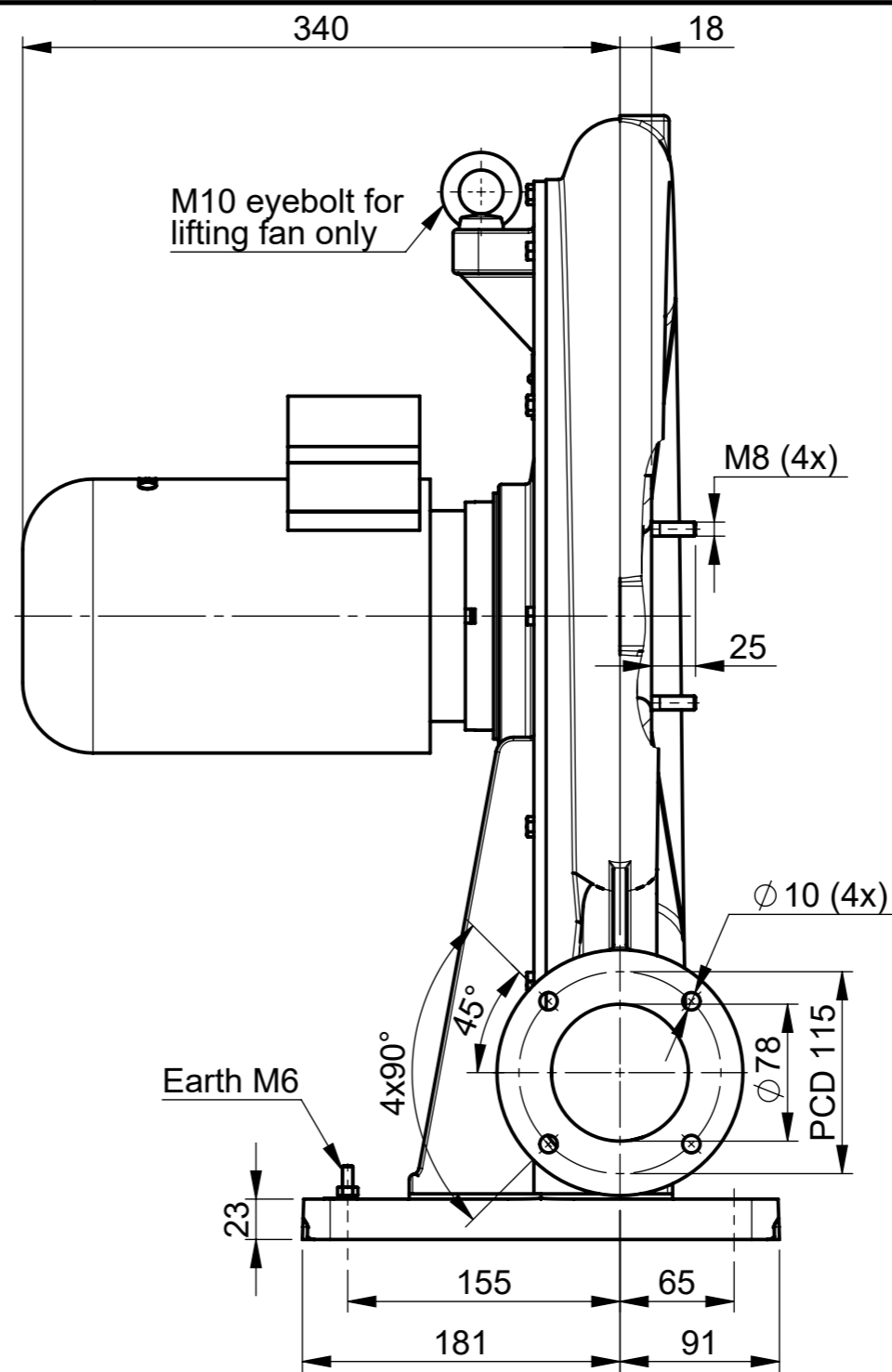
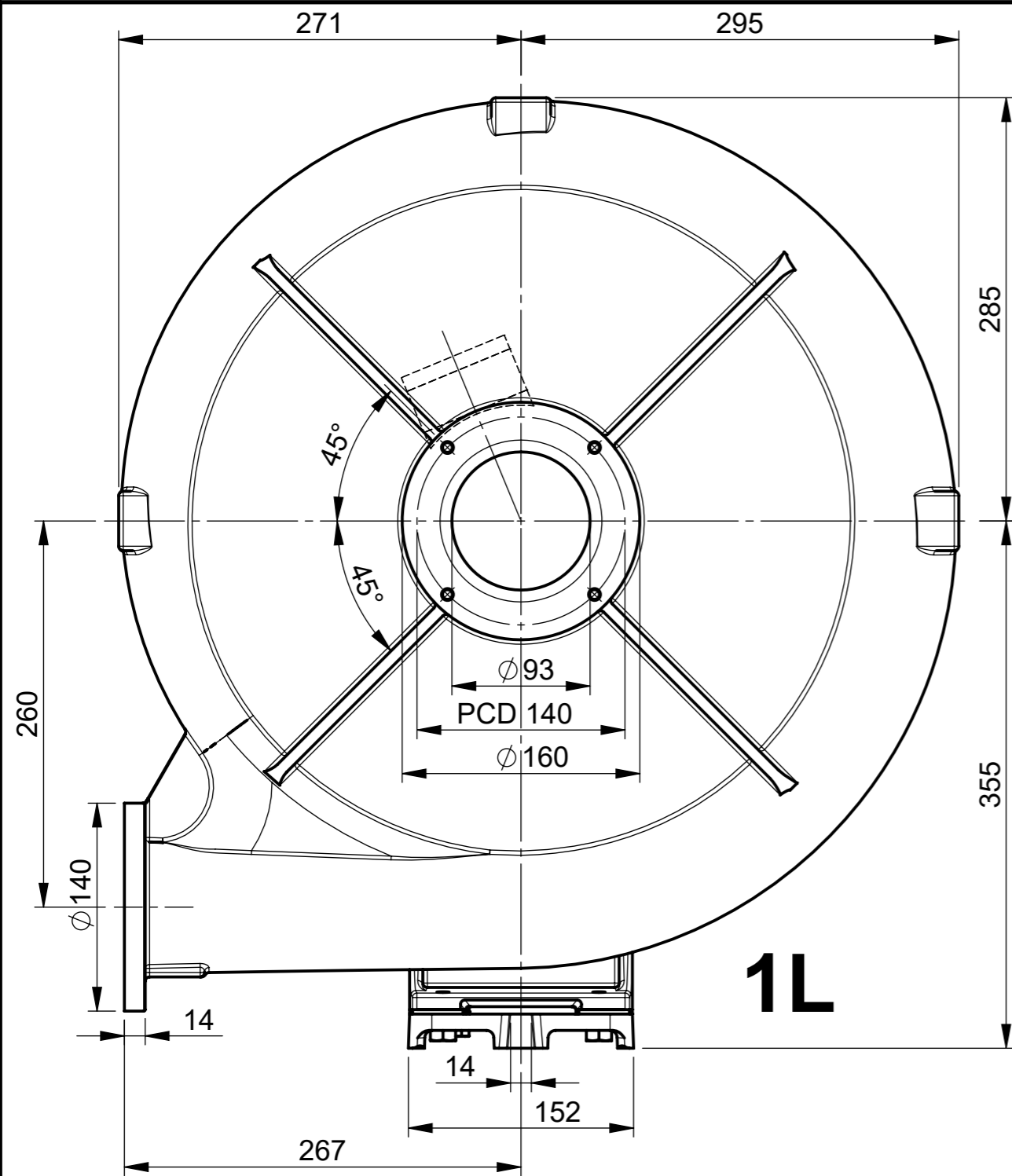


This document is confidential. The copyright is vested in Combimac B.V. Emmen, The Netherlands. All rights reserved. Neither the whole nor any part of this document may be disclosed to any third party or reproduced, stored in any retrieval system or transmitted in any form or by any means (electronic, mechanical, reprographic, recording or otherwise) without the prior written consent of the copyright owner.



Fan type : 51DZK475/R2J1
 Part nr. : 847.562
 Fan speed : Approx. 2900 rpm
 Fan Ex class : Ex II 3G/3G Ex h IIB T3 Gc/Gc
 Mass : ± 73 kg
 Remarks : Shaft sealed by lipseal
 : Impeller made from stainless steel 316

Motor type : 6RE80-02
 Motor power : 0.75 kW
 Motor supply : 230/400V-50Hz-3ph.
 Motor frame size : IEC80 - B14a
 Motor Ex class : Ex II 2G Ex eb IIC T3 Gb
 Protection : IP55 - Cl. F
 Remarks :

02	-	06-01-2021	Redrawn in 3D.	AB
01	-	23-03-2018	Motor length 340 was 321.5	HH
00				
ISSUE	QTY	DATE	DESCRIPTION	NAME
PROJECTION		ROUGHNESS SYMBOLS ACC. ISO 1302	GENERAL TOLERANCES ACC. ISO 2768-M	GEOMETRIC TOLERANCE SYMBOLS ACC. ISO 1101



Special electric motors and fans

Outline drawing of COMBIMAC centrifugal fan
Type 51DZK475/R2J1 - 847.562

SCALE 1:4
DRAWN 23-11-2005 HvK

DIMS IN mm
CHECKED

C.003.246