

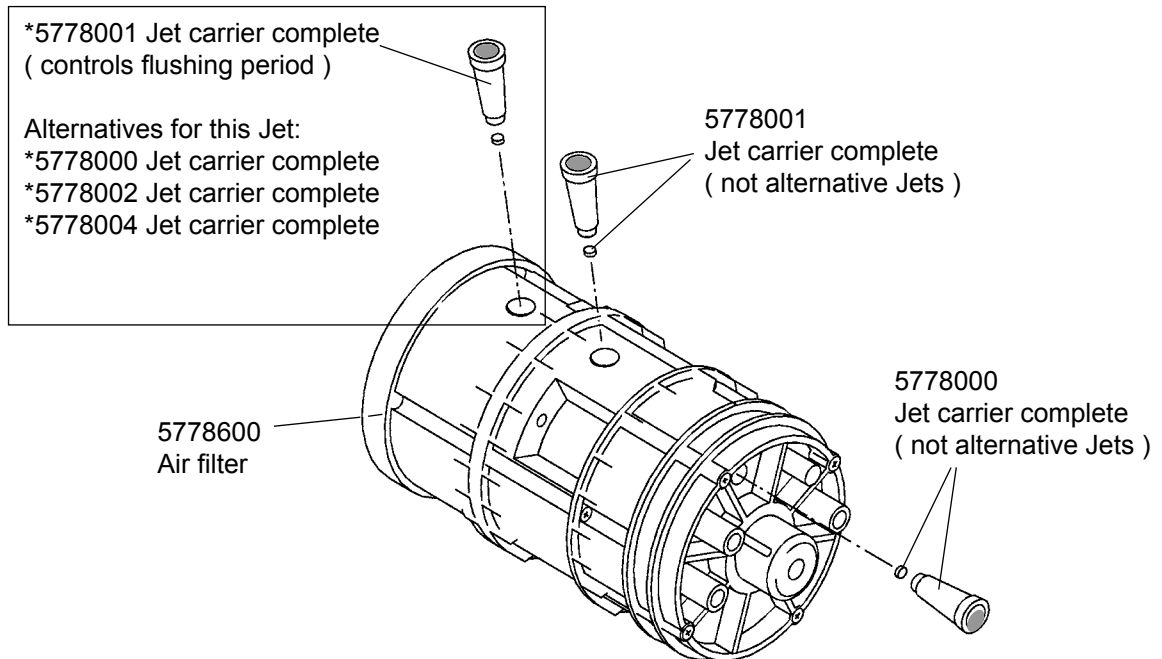
# VACUUM TOILET

**5775500 CONTROL MECHANISM**

**5881000 SPARE PART KIT FOR CONTROL MECHANISM (EVAC 90 AND 900 MODEL TOILETS)**

**6546688 SPARE PART KIT FOR CONTROL MECHANISM (EVAC 910 AND 912 MODEL TOILETS, TOILET WITH AUTOFLUSH UNIT, STAINLESS STEEL TOILET, SQUATTING TOILET)**

## P/N 5775500 Control mechanism



### \* Jet carrier identification:

P/N	Colour	Size	Effect
5778004	Yellow	0.20	Extra long flushing period
5778000	White	0.30	Long flushing period
5778001	Blue	0.40	Normal flushing period
5778002	Red	0.50	Short flushing period

**! NOTE:** See also the operation and maintenance documents:

Doc. 3:111E, Control mechanism (Evac 90 and 900 model toilets)

Doc. 002032-3, Control mechanism (Evac 910 model toilets)

Doc. 002474-2, Control mechanism (Evac 910 Stainless steel toilets)

Doc. 3:01103C, Control mechanism (Evac 910, Squatting toilet)

## P/N 5881000 Spare part kit (Evac 90 and 900 model toilets)

P/N	Description	Pcs
5778600	Air filter	1
5778001	Jet carrier complete	2
5778000	Jet carrier complete	1
5778700	Filter	1
5959902	Mini-check valve	1

## P/N 6546688 Spare part kit

**(Evac 910 and 912 model toilets, toilet with Autoflush unit, Stainless steel toilet, Squatting toilet)**

P/N	Description	Pcs
5778600	Air filter	1
5778001	Jet carrier complete	2
5778000	Jet carrier complete	1
5778700	Filter	1
6545052	Mini-check valve kit	1