

Diaphragm type Vacuum Pumps **DAP-12S**

DA(P/T/L) Series



Outline

This is a vacuum pump that evacuates by the reciprocating motion of a rubber thin film (diaphragm). Simple structure and easy handling. DA series is a standard type.

Features and Cautions on use

- Diaphragm type pump creates vacuum by reciprocating movement of rubber diaphragms. Pump structure creates an Oil-free environment and easy to maintenance. DAP series is the smallest diaphragm pump from our product ranges and offers pumping speed at 6L and 18 L/min at 50Hz.

Specification

Item	Unit	50Hz	60Hz
Actual Pumping Speed	L/min	12	14
Ultimate Pressure	Pa	24.0×10 ³	
	kPa	-77.3 #1	
Motor Output	W	10	
Weight	kg	1.9	
Inlet, Outlet port diameter	mm	Rc 1/8	
Ambient temperature	°C	0~40	
Overall dimensions	mm	91(W) × 163(L) × 100.6(H)	
RoHS applied		●	

#1: Gauge pressure

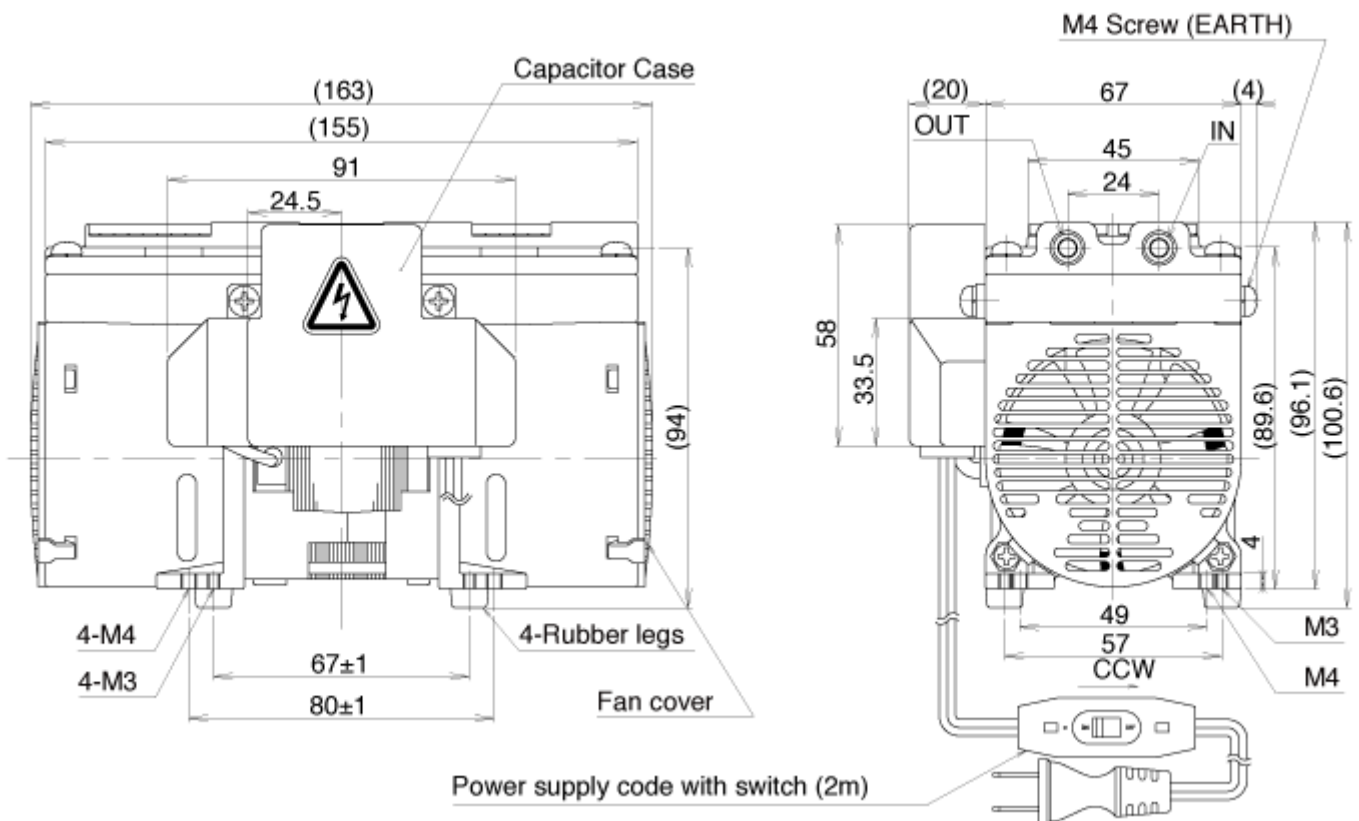
Hose port suction pipe, Hose port exhaust pipe are not included.

Power Supply/Voltage

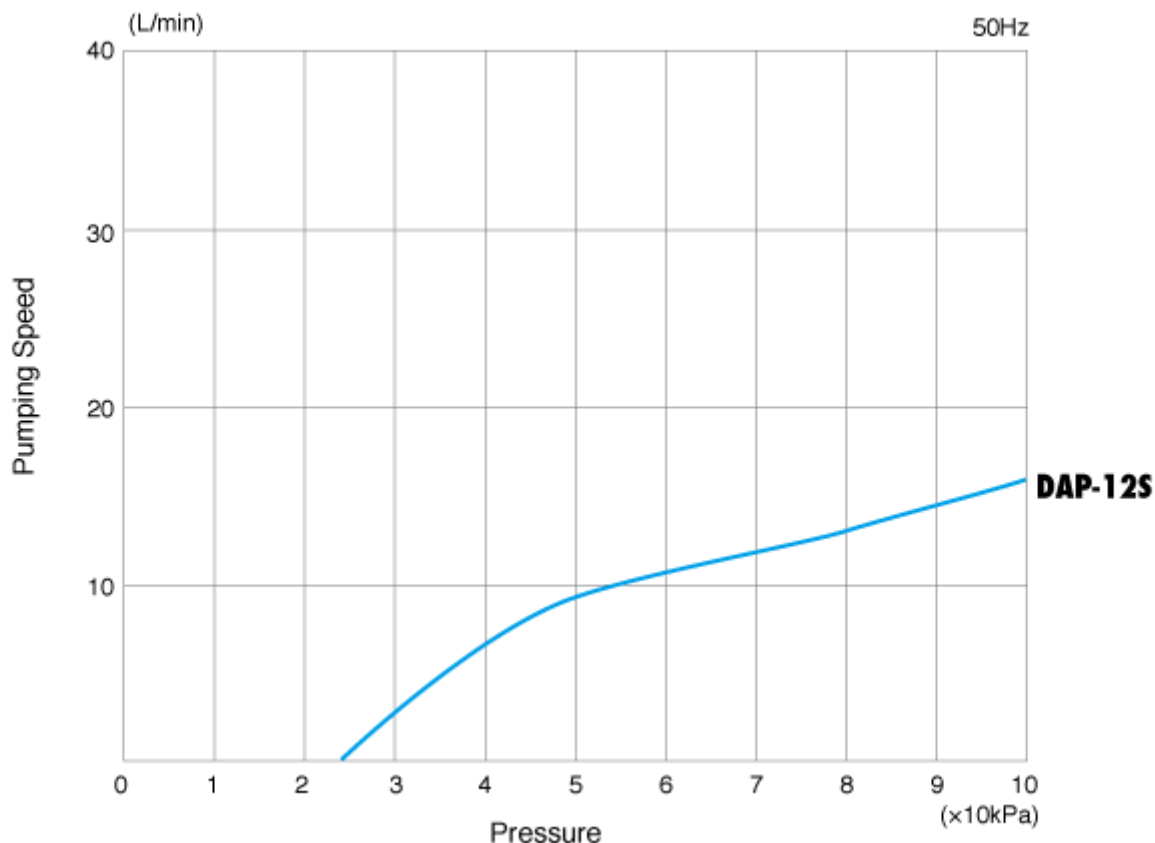
Voltage	Certificate	Remarks
Single phase, 100V	—	
Single phase, 200V	—	
Single phase, 220-230V	—	

■TUV Certification: A high-quality product that complies with European standards as assessed by an international third party that conducts product safety testing and certification.

Outline Drawing



Pumping Speed Curves



Remarks

- The pump is stopped when the load is operated, and the pump can't be operated just after that. In this case, please return the atmospheric pressure the inside of the pump.
- The pump will not often operate normally if it is used with corrosive gases, organic solvents, liquids, or condensed gases (eg steam). The pump will not often operate normally if it is used with gases containing particles or dust etc.
- The positions and dimensions of the M3 and M4 screws in this pump are varied within the range of tolerances depending on the combination of base component parts. When this pump is incorporated into equipment, drill oblong mounting holes.
- It is a pump only in the room. Please do not set it up in the place, that rain and water splash, and outdoors.
- It may cause the failure of the pump if it is used for long hours
- close to the atmospheric pressure.

Applied optional part items

No.	Category name	Series	Name
1	Maintenance Kit	Maintenance Kit Series	Maintenace Kit for DAP-6D/12S
2	Suction Pipe	Hose Port Suction Pipe	Hose port suction pipe (dia.9×Rc1/8)
3	Anti-vibration Rubber	Anti-vibration Rubber	Anti-vibration rubber (ME-12cut)

アルバック機工株式会社

〒881-0037
宮崎県西都市大字茶臼原291-7
TEL:(0983)42-1411(代)
FAX:(0983)42-1422