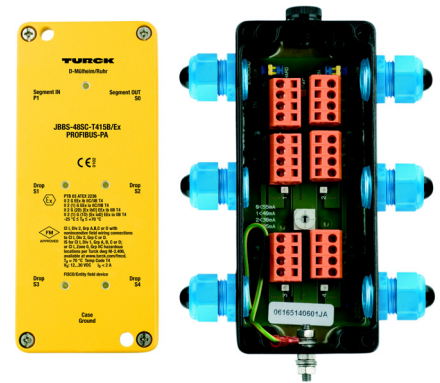
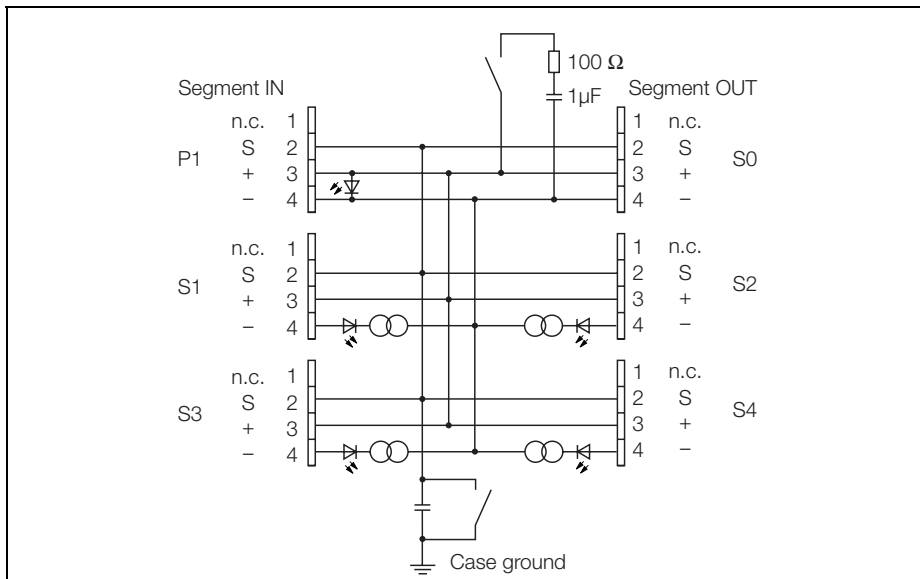


**PROFIBUS-PA
IP67 junction box, 4-channel
JBBS-48SC-T415B/EX**



The 4-channel Ex-junction module BBS-48SC-T415B/EX is designed for PROFIBUS-PA systems.

The junction box features an adjustable short-circuit limit. The max. current limitation is selected for all channels via a rotary switch. The following values can be selected: 30, 35, 45 and 60 mA.

The housing is made of robust die-cast aluminium and features protection degree IP67.

The junction box is equipped with a selectable bus terminating resistor. The according switch is integrated in the housing on the

board.

To avoid condensation build-up in the housing, the devices are equipped with a condensate drain.

The shield is capacitively coupled to the housing potential. A switch for direct coupling of the shield and housing is implemented.

Attention: Sufficient equipotential bonding of the installation must be ensured. The device is connected via the bolt of the housing to the system's potentializer.

- Entity and FISCO compliant according to IEC TS 60079-27
- junction module for wall mounting with PVC cable glands M20 x 1.5
- powder-coated die-cast aluminium housing
- pressure compensation element for protection against condensation water
- connection of the housing potential via an M5 x 1 bolt
- Short-circuit protection per drop in/spur
- For Ex applications: -25...+70 °C (-13...+158 °F); for non-Ex applications: -40...+70 °C (-40...+70.00 °C)
- integrated terminating resistor (switch-in)
- cable shielding: capacitive or direct connection to housing potential selectable via switch
- isolated support terminal for optional protective conductor incorporated in cable

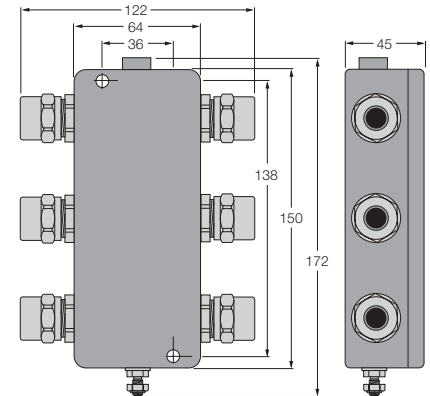
PROFIBUS-PA

IP67 junction box, 4-channel

JBBS-48SC-T415B/EX

Type	JBBS-48SC-T415B/EX
Ident-No.	6611417
Fieldbus standard	IEC 61158-2
Operational voltage range:	12 ... 32 VDC
Current self-consumption	≤ 7 mA
Voltage drop	≤ 0.3 V
Short-circuit protection	≤ 30 , 35 , 45 , 60 mA
Indication	placeholder
Operational readiness	1 x green
Short-circuit message	4 x red
Ex approval acc. to conformity certificate	PTB 03 ATEX 2236
Entity Parameter	
Max. output voltage U_o	≤ 24 V
Max. output current I_o	≤ 250 mA
Max. output power P_o	≤ 2560 mW
Max. input voltage U_i	≤ 24 V
Max. input current I_i	≤ 250 mA
Max. input power P_i	≤ 2560 mW
FISCO parameter according to IEC TS 60079-27	
Max. output voltage U_o	≤ 17.5 V
Max. output current I_o	≤ 380 mA
Max. output power P_o	≤ 5320 mW
Max. input voltage U_i	≤ 17.5 V
Max. input current I_i	≤ 380 mA
Max. input power P_i	≤ 5320 mW
External inductance/capacitance L_i/C_i	trunk (in/out): negligible / ≤ 5.00 nF per field current circuit: negligible / ≤ 0.47 nF Σfield current circuits: negligible / ≤ 5.00 nF
Device designation	Ⓢ II 2 G EEx ib IIC/IIB T4 Ⓢ II 2(1) G EEx ia IIC/IIB T4 Ⓢ II 2 G (2D) [Ex ibD] EEx ib IIB T4 Ⓢ II 2 (1) G (1D) [Ex iaD] EEx ia IIB T4 FISCO / Entity field device
Electrical connection	cable glands
Segment IN	1 x M20 x 1.5 (Ø 6...12 mm)
Segment OUT	1 x M20 x 1.5 (Ø 6...12 mm)
Drop line	4 x M20 x 1.5 (Ø 6...12 mm)
Terminal cross-section	2.5 mm ²
Earthing bolt	M5 x 1
Degree of protection	IP67
Ambient temperature	-25 ... + 70 °C
Housing material	powder-coated die-cast aluminium
Housing colour	black/yellow
Dimensions	64 x 150 x 45 mm
Connection mode	wall mounting

Dimensions



Terminal Configuration

