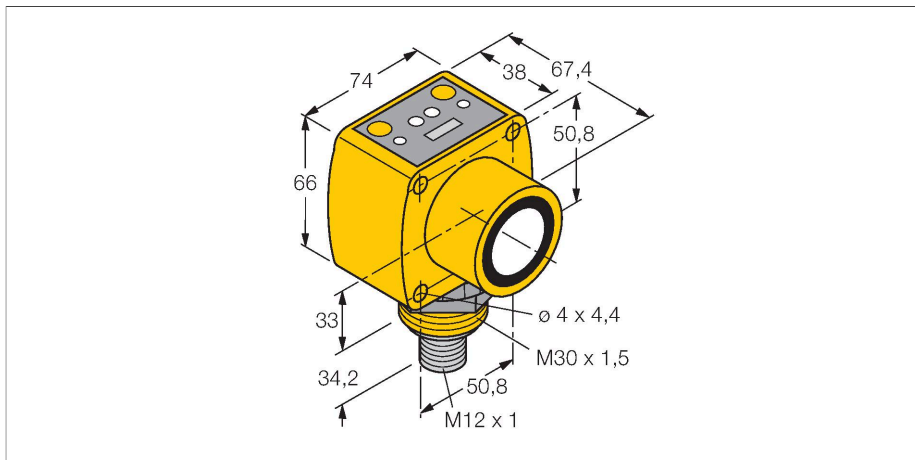


# QT50ULBQ6-CRFV

## Ultrasonic sensor – diffuse mode sensor

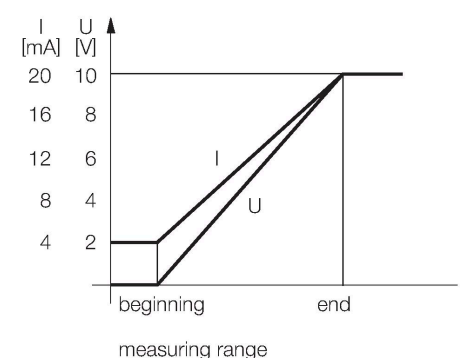


### Features

- LED indicates signal intensity
- Male connector, 5-pin, M12 × 1
- Temperature compensation selectable via DIP switch

### Functional principle

Ultrasonic sensors detect a multitude of objects contactless and wear-free with ultrasonic waves. Regardless of whether the object is transparent or opaque, metallic or non-metallic, liquid, solid or powdery. Even environmental conditions such as spray, dust or rain hardly affect their function.



### Technical data

Type	QT50ULBQ6-CRFV
ID	3074835
<b>Ultrasonic data</b>	
Function	Proximity switch
Range	200...6000 mm
Ultrasound frequency	75 kHz
Repeatability	≤ ± 1 mm
Temperature drift	≤ 0.02 % of full scale/K
Edge lengths of the nominal actuator	500 mm
<b>Electrical data</b>	
Operating voltage	10...30 VDC
Response time typical	< 100 ms
Readiness delay	≤ 1500 ms
Output function	Analog output
Current output	4...20 mA
Voltage output	0...10 V
Short-circuit protection	yes
<b>Mechanical data</b>	
Design	Rectangular, QT50U
Radiation direction	straight
Dimensions	67.4 x 74 x 100.2 mm
Housing material	Plastic, PBT
Transducer material	Plastic, Epoxyd resin and PU foam
Electrical connection	Connector, M12 × 1, PVC
Ambient temperature	-20...+70 °C
Storage temperature	-40...+90 °C

## Technical data

Relative humidity	100 %
Protection class	IP67
Power-on indication	LED, Green
Object detected	LED, Red
<b>Tests/approvals</b>	
MTTF	131 years acc. to SN 29500 (Ed. 99) 40 °C
Approvals	CE

## Accessories

<p><b>SMB30A</b></p>	<p><b>3032723</b></p> <p>Mounting bracket, rectangular, stainless steel, for sensors with 30mm thread</p>	<p><b>SMB30MM</b></p>	<p><b>3027162</b></p> <p>Mounting bracket, rectangular, stainless steel, for sensors with 30 mm thread, wide holes for accurate alignment</p>
<p><b>SMB30SC</b></p>	<p><b>3052521</b></p> <p>Mounting bracket, PBT black, for sensors with 30 mm thread, rotatable</p>		

## Accessories

Dimension drawing	Type	ID	
	<p><b>WKC4.5T-2/TEL</b></p>	<p><b>6625028</b></p>	<p>Connection cable, female M12, angled, 5-pin, cable length: 2 m, sheath material: PVC, black; cULus approval; other cable lengths and qualities available, see <a href="http://www.turck.com">www.turck.com</a></p>
	<p><b>RKC4.5T-2/TEL</b></p>	<p><b>6625016</b></p>	<p>Connection cable, female M12, straight, 5-pin, cable length: 2 m, sheath material: PVC, black; cULus approval; other cable lengths and qualities available, see <a href="http://www.turck.com">www.turck.com</a></p>