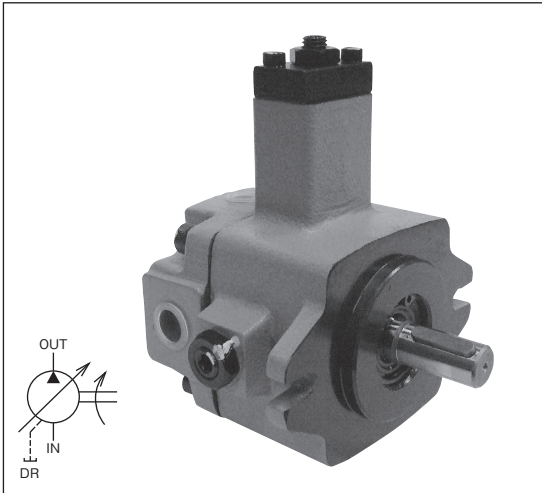


VARIABLE-DISPLACEMENT VANE PUMP (HVP-VB1)

A

PUMPS AND MOTORS



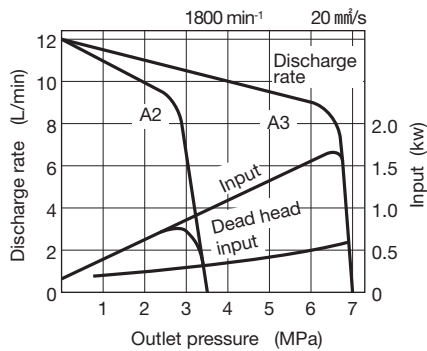
Features

1. Since the pressure and flow rate are supplied corresponding to load, the power can be saved and the rise of oil temperature is restrained, ensuring economic operation.
2. Since the pressure compensating mechanism is provided, the relief valve, unload valve, etc. can be dispensed with.

⚠ Cautions on use Please read the Operating Manual carefully to ensure correct usage.

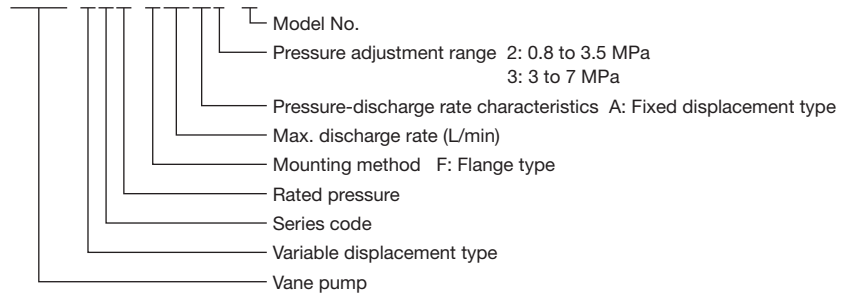
- Direction of rotation is to right (CW) viewed from the shaft end.
 - The pump can be used for R&O type and abrasion-resistant type hydraulic fluid applications.
 - The pump cannot be used for water-glycol fluid.
 - Please read the "Cautions on Using Pumps and Motors", A-2 and A-3 pages.
- * It is not compatible with old type HVP-VB1-F*A*-A.

General performance characteristics



Description of the model designation

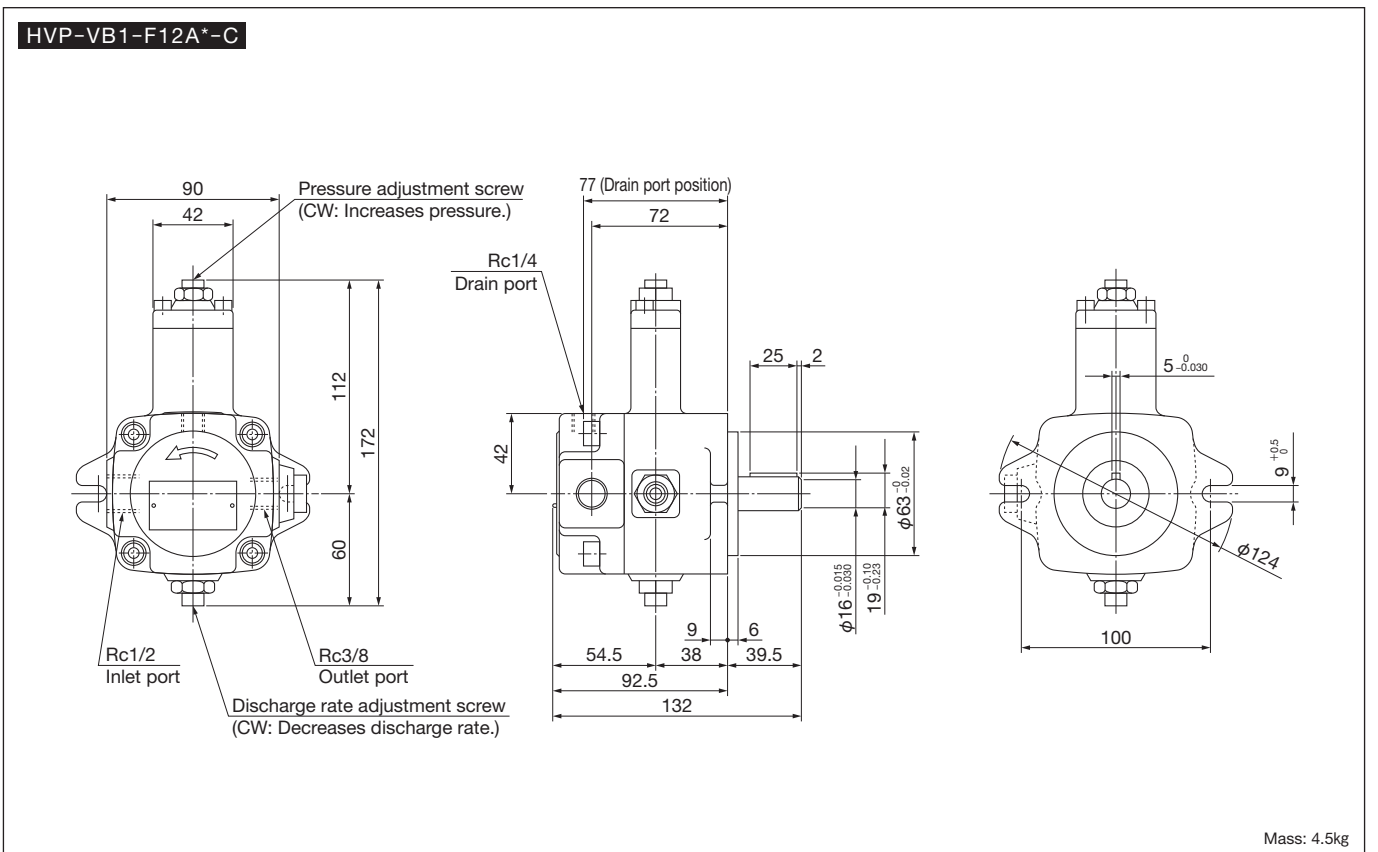
HVP-VB1-F12A2-C



Specifications

Model	Discharge rate under no load (L/min)		Pressure adjustment range (MPa)	Rotating speed (min ⁻¹)		
	1,200 min ⁻¹	At rated speed		Rated	Max.	Lowest
HVP-VB1-F12A2-C	8	12	0.8 to 3.5	1,800	1,800	720
HVP-VB1-F12A3-C			3 to 7			

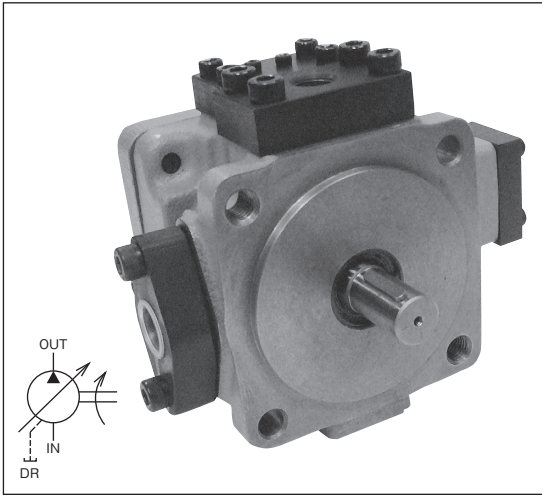
Outside dimensions



VARIABLE-DISPLACEMENT VANE PUMP (HVP-VC1)

A

PUMPS AND MOTORS



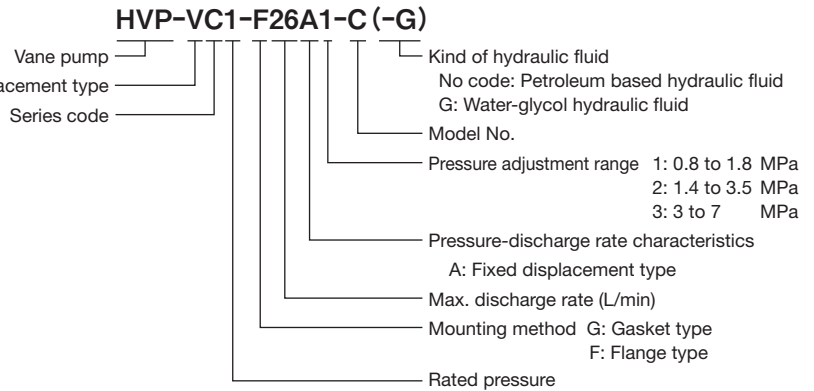
Features

1. Since the pressure and flow rate are supplied corresponding to load, the power can be saved and the rise of oil temperature is restrained, ensuring economic operation.
2. Since the pressure compensating mechanism is provided, the relief valve, unload valve, etc. can be dispensed with.

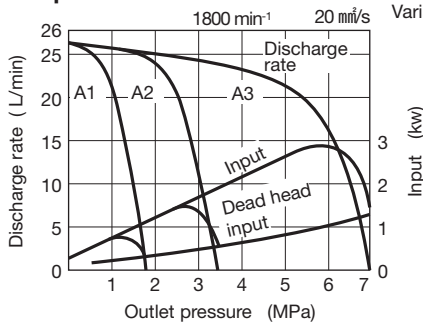
⚠ Cautions on use

- Please read the Operating Manual carefully to ensure correct usage.
- Direction of rotation is to right (CW) viewed from the shaft end.
 - The pump can be used for R&O type and abrasion-resistant type hydraulic fluid applications.
 - When using water-glycol hydraulic fluid, specify "G" at the end of model designation. The maximum rotating speed, however, becomes 1,200 min⁻¹. For brand names of water-glycol hydraulic fluid, please consult us.
 - Please read the "Cautions on Using Pumps and Motors", A-2 and A-3 pages.

Description of the model designation



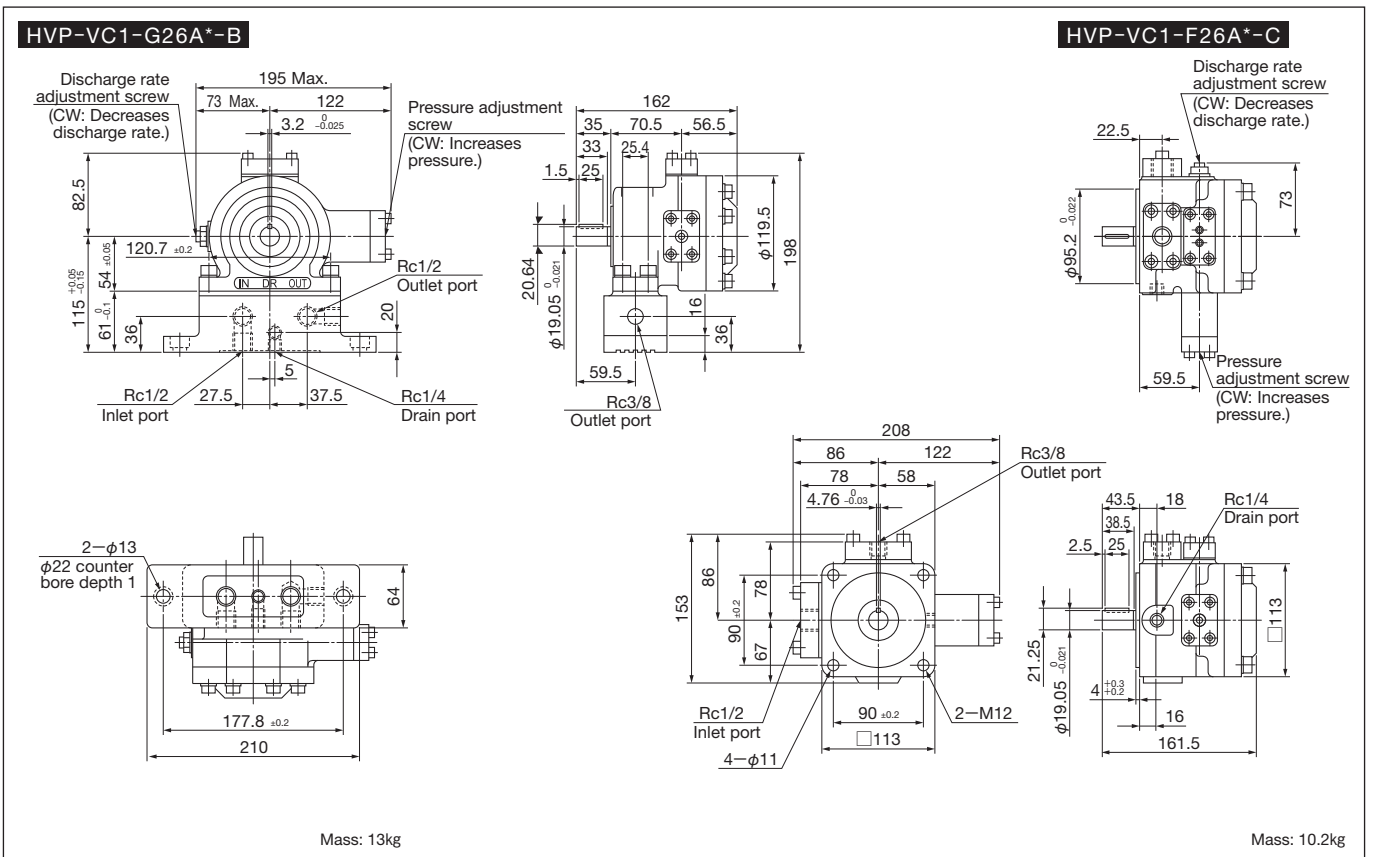
General performance characteristics



Specifications

Model		Discharge rate under no load (L/min)		Pressure adjustment range (MPa)	Rotating speed (min ⁻¹)		
Gasket type	Flange type	1,200 min ⁻¹	At rated speed		Rated	Max.	Lowest
HVP-VC1-G26A1-B	HVP-VC1-F26A1-C	17	26	0.8 to 1.8	1,800	1,800	750
HVP-VC1-G26A2-B	HVP-VC1-F26A2-C			1.4 to 3.5			
HVP-VC1-G26A3-B	HVP-VC1-F26A3-C			3 to 7			

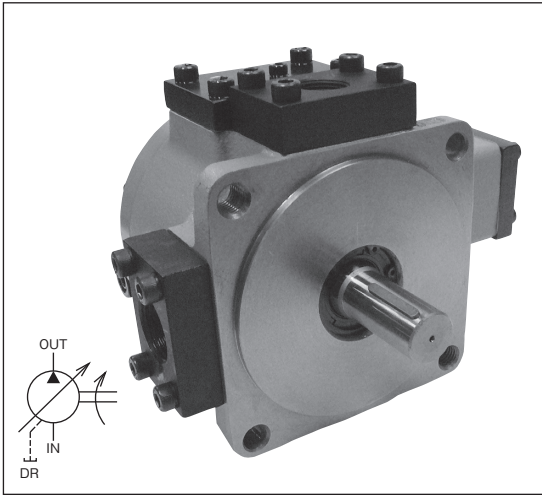
Outside dimensions



VARIABLE-DISPLACEMENT VANE PUMP (HVP-VD1)

A

PUMPS AND MOTORS



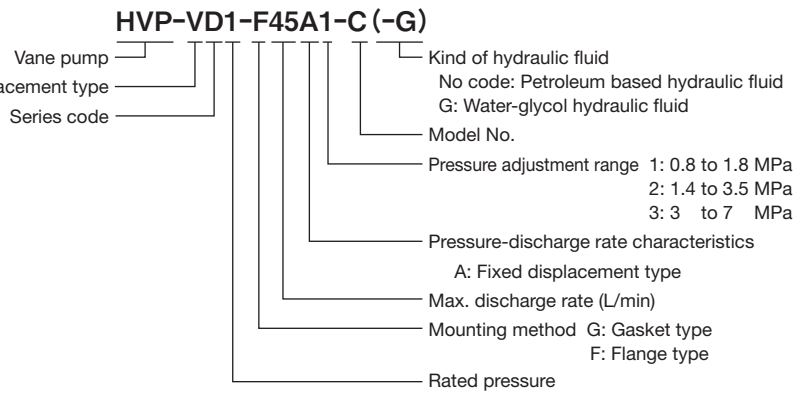
Features

1. Since the pressure and flow rate are supplied corresponding to load, the power can be saved and the rise of oil temperature is restrained, ensuring economic operation.
2. Since the pressure compensating mechanism is provided, the relief valve, unload valve, etc. can be dispensed with.

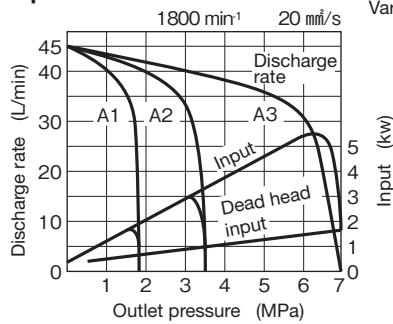
⚠ Cautions on use Please read the Operating Manual carefully to ensure correct usage.

- Direction of rotation is to right (CW) viewed from the shaft end.
- The pump can be used for R&O type and abrasion-resistant type hydraulic fluid applications.
- When using water-glycol hydraulic fluid, specify "G" at the end of model designation. The maximum rotating speed, however, becomes 1,200 min⁻¹. For brand names of water-glycol hydraulic fluid, please consult us."
- Please read the "Cautions on Using Pumps and Motors", A-2 and A-3 pages.

Description of the model designation



General performance characteristics



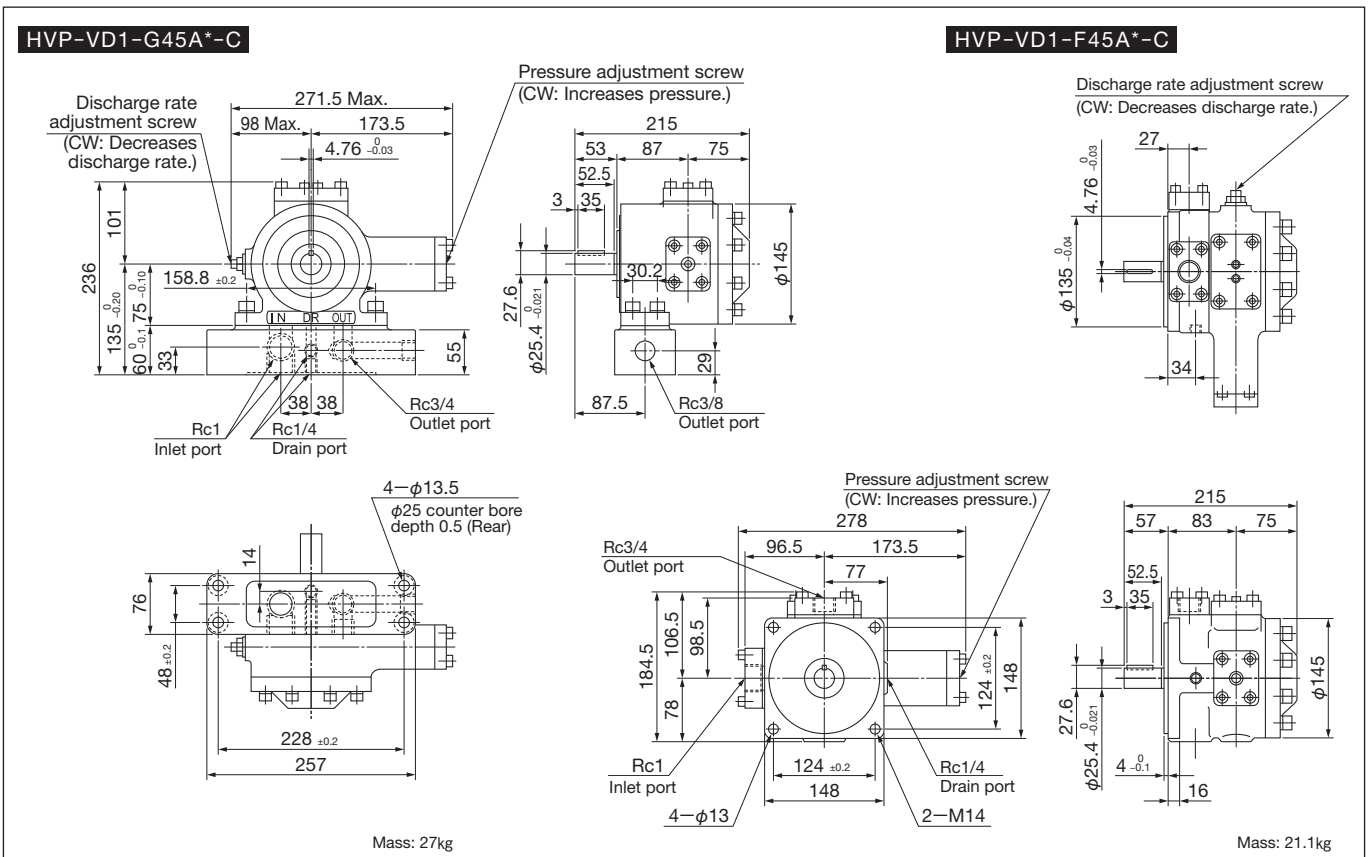
Specifications

(Note) Where the sub-plate is not required, specify "-970" at the end of model designation.

20mm³/s

Model		Discharge rate under no load (L/min)		Pressure adjustment range (MPa)	Rotating speed (min ⁻¹)		
Gasket type	Flange type	1,500 rpm	At rated speed		Rated	Max.	Lowest
HVP-VD1-G45A1-C	HVP-VD1-F45A1-C	38	45	0.8 to 1.8	1,800	1,800	750
HVP-VD1-G45A2-C	HVP-VD1-F45A2-C			1.4 to 3.5			
HVP-VD1-G45A3-C	HVP-VD1-F45A3-C			3 to 7			

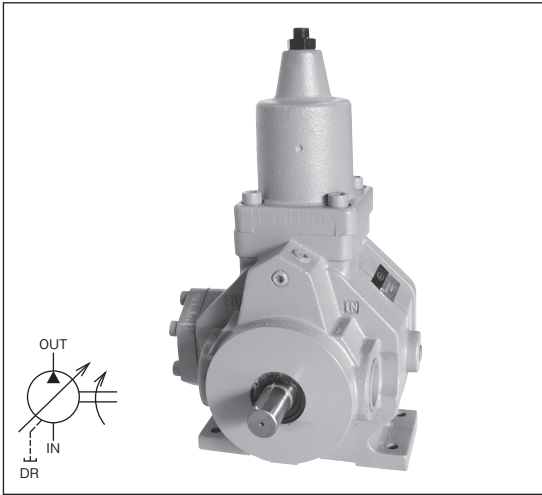
Outside dimensions



VARIABLE-DISPLACEMENT VANE PUMP (HVP-VF1)

A

PUMPS AND MOTORS



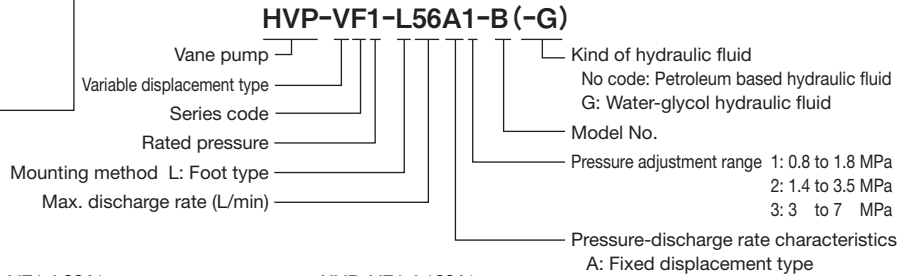
Features

- Since the pressure and flow rate are supplied corresponding to load, the power can be saved and the rise of oil temperature is restrained, ensuring economic operation.
- Since the pressure compensating mechanism is provided, the relief valve, unload valve, etc. can be dispensed with.

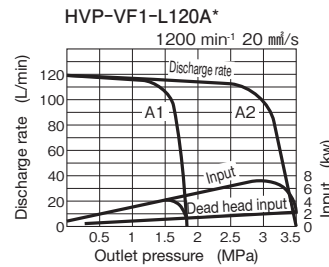
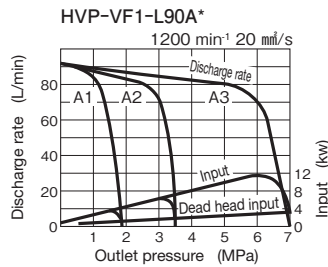
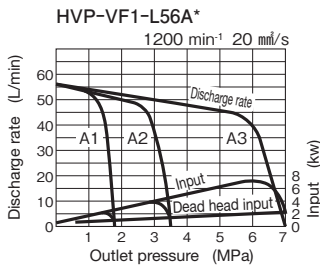
⚠ Cautions on use Please read the Operating Manual carefully to ensure correct usage.

- Direction of rotation is to right (CW) viewed from the shaft end.
- The pump can be used for R&O type and abrasion-resistant type hydraulic fluid applications.
- When water-glycol fluid is used, specify "G" at the end of model designation. For brand names of water-glycol fluid, please consult us.
- Please read the "Cautions on Using Pumps and Motors", A-2 and A-3 pages.

Description of the model designation



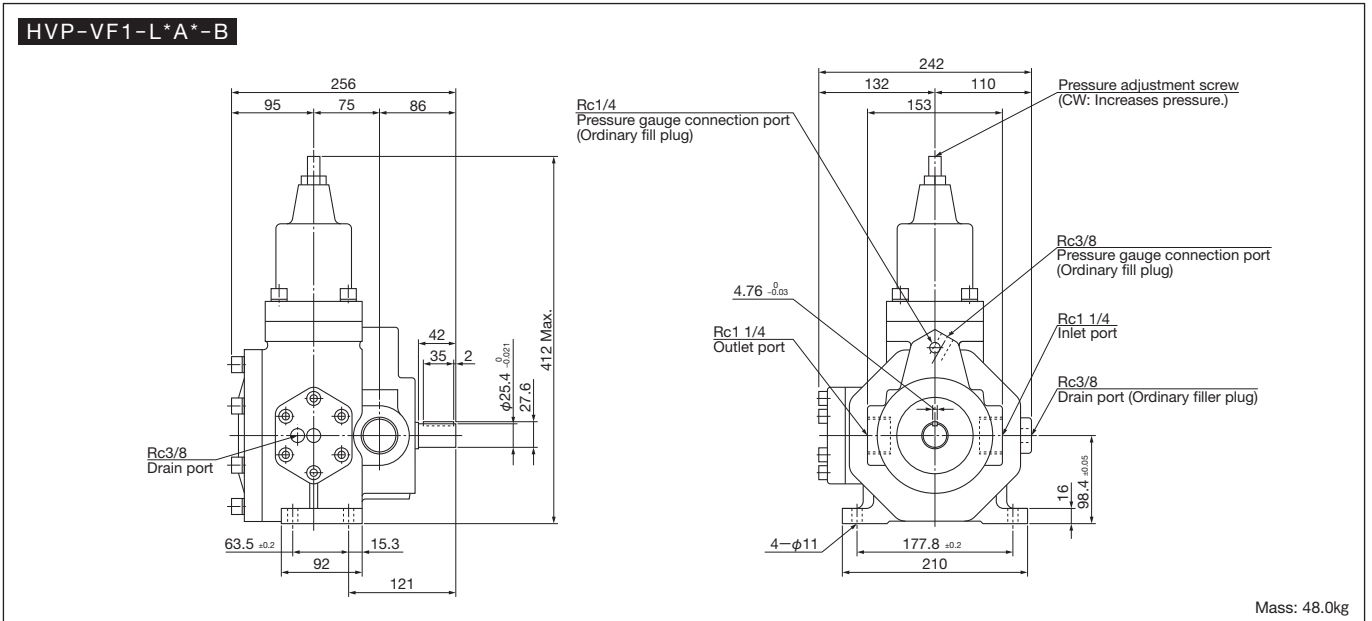
General performance characteristics

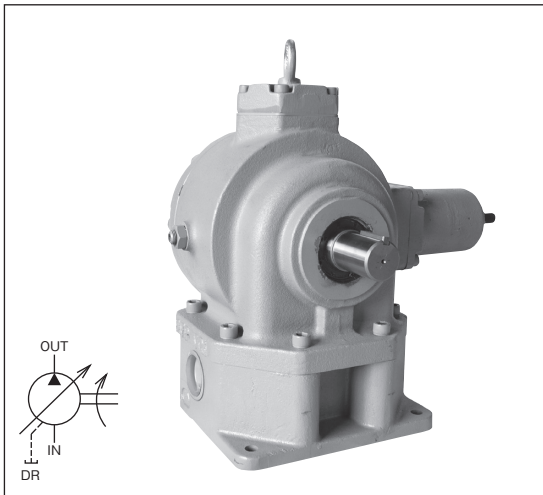


Specifications

Model	Discharge rate under no load (L/min)		Pressure adjustment range (MPa)	Rotating speed (min ⁻¹)		
	1,000 min ⁻¹	At rated speed		Rated	Max.	Lowest
HVP-VF1-L56A1-B	47	56	0.8 to 1.8	1,200	1,200	750
HVP-VF1-L56A2-B			1.4 to 3.5			
HVP-VF1-L56A3-B			3 to 7			
HVP-VF1-L90A1-B	75	90	0.8 to 1.8	1,200	1,200	750
HVP-VF1-L90A2-B			1.4 to 3.5			
HVP-VF1-L90A3-B			3 to 7			
HVP-VF1-L120A1-B	100	120	0.8 to 1.8	1,200	1,200	750
HVP-VF1-L120A2-B			1.4 to 3.5			

Outside dimensions





■ Features

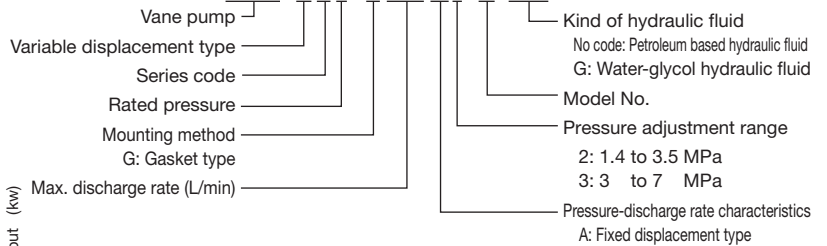
1. Since the pressure and flow rate are supplied corresponding to load, the power can be saved and the rise of oil temperature is restrained, ensuring economic operation.
2. Since the pressure compensating mechanism is provided, the relief valve, unload valve, etc. can be dispensed with.

⚠ **Cautions on use** Please read the Operating Manual carefully to ensure correct usage.

- Direction of rotation is to right (CW) viewed from the shaft end.
- The pump can be used for R&O type and abrasion-resistant type hydraulic fluid applications.
- When using water-glycol hydraulic fluid, specify "G" at the end of model designation. The maximum rotating speed, however, becomes 1,200 min⁻¹. For brand names of water-glycol hydraulic fluid, please consult us."
- Please read the "Cautions on Using Pumps and Motors", A-2 and A-3 pages.

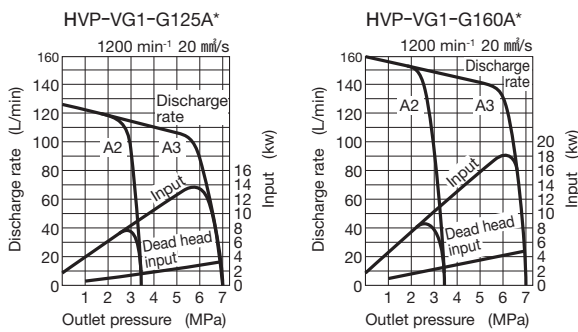
■ Description of the model designation

HVP-VG1-G125A2-B(-G)



(Note) Where the sub-plate is not required, specify "-970" at the end of model designation.

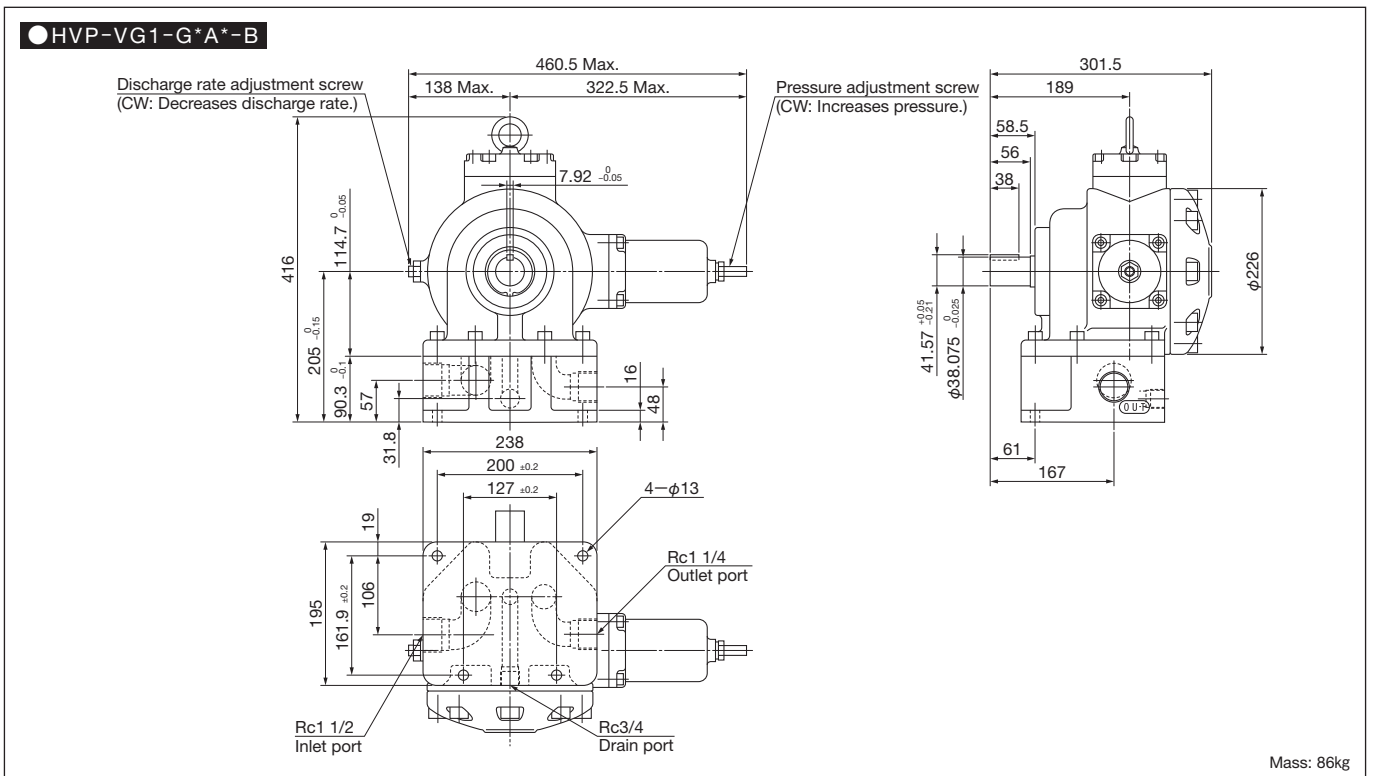
■ General performance characteristics



■ Specifications

Model	Discharge rate under no load (L/min)		Pressure adjustment range (MPa)	Rotating speed (min ⁻¹)		
	1,000 min ⁻¹	At rated speed		Rated	Max.	Lowest
HVP-VG1-G125A2-B	104	125	1.4 to 3.5	1,200	1,200	600
HVP-VG1-G125A3-B			3 to 7			
HVP-VG1-G160A2-B	133	160	1.4 to 3.5			
HVP-VG1-G160A3-B			3 to 7			

■ Outside dimensions



Mass: 86kg