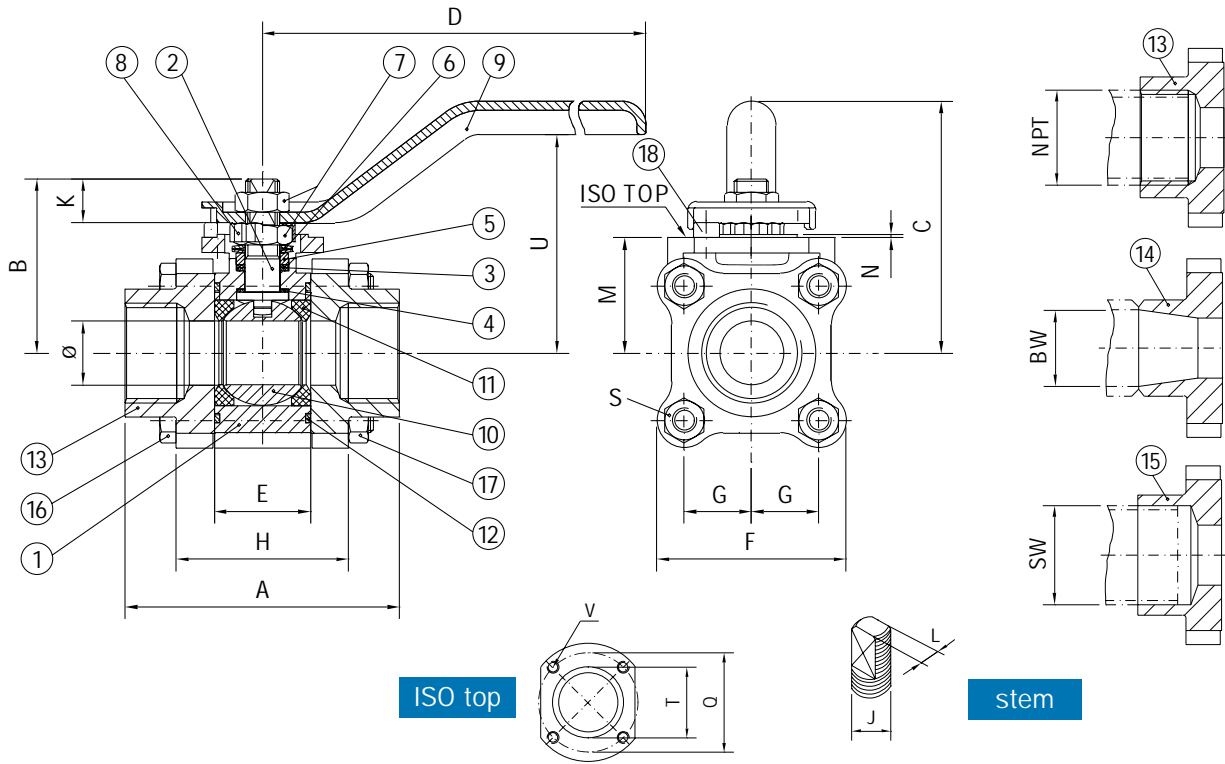


# SERIES 15i



		<b>15i44</b>	<b>15i66</b>
1	Body	A105N	AISI316
2	Stem	AISI316L	
3	Stem Seal	PTFE-carbon	
4	Thrust Washer	PTFE-carbon	
5	Stem Seal Follower	AISI303	
6	Belleville Springs	AISI301	
7	Hex. Nut (Handle Nut)	AISI303	
8	Lock Cap	AISI304	
9	Handle	CF8M	

		<b>15i44</b>	<b>15i66</b>
10	Ball	AISI316	
11	Seat	PTFE-GLASS	
12	Body Seal	PTFE-GLASS	
13	Screwed End	A105N	AISI316L
14	Butt Weld End	A105N	AISI316L
15	Socket Weld End	A105N	AISI316L
16	Body Bolt	AISI1034	AISI304
17	Body Nut	AISI1034	AISI304
18	Bolt	AISI1034	AISI304

## regular bore 1/2" - 2"

SIZE	BW	SW	Ø	A	B	C	D	E	F	G	H	JUNF	K	L	M	N	Q	S	T	U	V	ISO TOP
1/2"	0.62	0.86	0.43	2.60	1.42	2.44	5.90	0.81	1.77	0.63	1.57	3/8"	0.35	0.27	1.06	0.04	1.65	M6X45	1.18	2.00	M5	F04
3/4"	0.82	1.07	0.55	3.00	1.65	2.60	5.90	0.97	2.00	0.75	1.81	3/4"	0.47	0.27	1.26	0.04	1.65	M6X55	1.18	2.12	M5	F04
1"	1.05	1.35	0.83	3.54	2.20	3.23	6.89	1.25	2.44	0.87	2.24	7/16"	0.55	0.29	1.50	0.04	1.65	M8X65	1.18	2.79	M5	F04
1 1/4"	1.40	1.70	0.98	4.13	2.36	3.19	6.89	1.62	2.68	0.98	2.64	7/16"	0.55	0.29	1.38	0.08	1.65	M8X75	1.18	2.75	M5	F04
1 1/2"	1.60	1.92	1.26	4.53	2.80	3.98	7.87	1.90	3.03	1.14	3.00	9/16"	0.63	0.35	1.61	0.08	1.97	M10X90	1.38	3.38	M6	F05
2"	2.09	2.42	1.50	5.12	3.00	4.17	7.87	2.22	3.42	1.30	3.38	9/16"	0.63	0.35	1.81	0.08	1.97	M10X100	1.38	3.58	M6	F05

## full bore 1/4" - 1 1/2"

SIZE	BW	SW	Ø	A	B	C	D	E	F	G	H	JUNF	K	L	M	N	Q	S	T	U	V	ISO TOP
1/4"	0.36	0.55	0.43	2.60	1.42	2.44	5.90	0.81	1.77	0.63	1.57	3/8"	0.35	0.27	1.06	0.04	1.65	M6X45	1.81	2.00	M5	F04
3/8"	0.49	0.71	0.43	2.60	1.42	2.44	5.90	0.81	1.77	0.63	1.57	3/8"	0.35	0.27	1.06	0.04	1.65	M6X45	1.81	2.00	M5	F04
1/2"	0.62	0.87	0.55	3.00	1.65	2.60	5.90	0.97	2.00	0.75	1.81	3/8"	0.47	0.27	1.26	0.04	1.65	M6X55	1.81	2.12	M5	F04
3/4"	0.83	1.08	0.83	3.54	2.20	3.23	6.89	1.25	2.44	0.87	2.24	7/16"	0.55	0.29	1.49	0.04	1.65	M8X65	1.81	2.79	M5	F04
1"	1.05	1.36	0.98	4.13	2.36	3.19	6.89	1.62	2.68	0.98	2.64	7/16"	0.55	0.29	1.38	0.08	1.65	M8X75	1.81	2.75	M5	F04
1 1/4"	1.38	1.70	1.26	4.53	2.80	3.98	7.87	1.90	3.03	1.14	3.00	9/16"	0.63	0.35	1.61	0.08	1.97	M10X90	1.38	3.38	M6	F05
1 1/2"	1.61	1.70	1.50	5.12	3.00	4.17	7.87	2.22	3.42	1.30	3.38	9/16"	0.63	0.35	1.81	0.08	1.97	M10X100	1.38	3.58	M6	F05