

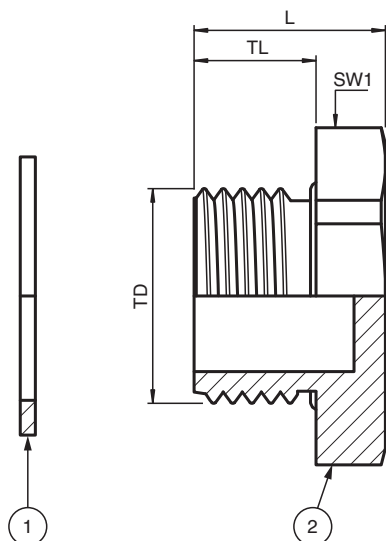


Stopping Plugs, Plastic SP.PE.M32.PA.C.15.K20

- Stopping plug for unused cable entries
- High impact-resistant polyamide material
- Thread M32
- Hexagon head
- Ex eb and Ex tb certified
- Suitable for operation in Zone 1, Zone 2, Zone 21 and Zone 22
- Full impact resistance of 7 J according to IEC/EN 60079-0 for the full range without limitations
- Packaging unit: 20 pieces, without accessories



Dimensions



Details see data table

Legend	
1	Flat gasket
2	Stopping plug
L	Total length
SW*	Width across flats
TD	Thread size
TL	Thread length

Release date: 2022-03-07 Date of issue: 2022-03-07 Filename: 291462_eng.pdf

Refer to "General Notes Relating to Pepperl+Fuchs Product Information".

Pepperl+Fuchs Group
www.pepperl-fuchs.com

USA: +1 330 486 0002
pa-info@us.pepperl-fuchs.com

Germany: +49 621 776 2222
pa-info@de.pepperl-fuchs.com

Singapore: +65 6779 9091
pa-info@sg.pepperl-fuchs.com

 **PEPPERL+FUCHS**

Technical Data

Mechanical specifications	
Thread type	metric ISO pitch 1.5 mm
Thread size (TD)	M32
Degree of protection	IP66 / IP68
Material	
Finish	inherent color black
Washer gasket	flat chloroprene gasket
Stopping plug	high impact-resistant polyamide
Mass	
Individual component	approx. 12 g
Packing unit	approx. 275 g
Dimensions	
Diameter thru-hole (DT)	32 ... 32.3 mm
Width across flats (SW1)	36 mm
Thread length (TL)	15 mm
Total length (L)	22.8 mm
Tightening torque	
Nut torque at enclosure (SW1)	4 Nm
Ambient conditions	
Ambient temperature	-40 ... 70 °C (-40 ... 158 °F)
Data for application in connection with hazardous areas	
EU-type examination certificate	IMQ 15 ATEX 006 X
Marking	⊕ II 2 GD Ex eb IIC Gb Ex tb IIIC Db
International approvals	
IECEX approval	IECEX IMQ 15.0001X
INMETRO approval	DNV 20.0032 X
EAC approval	RU C-DE.AA87.B.00459/20
Conformity	
Degree of protection	EN 60529
General information	
Delivery quantity	20
Scope of delivery	Stopping Plugs, Plastic brief instructions (1 copy)
Supplementary information	EC-Type Examination Certificate, Statement of Conformity, Declaration of Conformity, Attestation of Conformity and instructions have to be observed where applicable. For information see www.pepperl-fuchs.com .